



SUZUKI MARINE

Parts Book

Cabrea

EL 75

EL 85



(732) 264-7176

(800) 338-0645 FAX (732) 264-2472

www.brownspoint.com

PREFACE

When it becomes necessary to replace parts on CABREA OUTBOARD MOTORS, always use CABREA GENUINE PARTS which have passed a strict inspection which guarantees quality and performance.

This parts catalogue covers the list of all service parts for CABREA EL75/85.

INSTRUCTIONS FOR QUOTING THE CATALOGUE

1. DIMENSIONS

Dimensions of the parts in this catalogue are indicated in unit millimeters.

2. ABBREVIATIONS

Abbreviations used in this catalogue are as follows:

AR	: As required	NT	: Number of teeth
ASSY	: Assembly	OPT	: Optional
E.No.	: Engine number	OS	: Over size
F.No.	: Frame number	STD	: Standard
d	: Diameter of material	T	: Thickness
ID	: Inside diameter	US	: Under size
OD	: Outside diameter	W	: Width
L	: Length	B,D	: Transom type
LH	: Left hand side		B= LONGSHAFT 20"
RH	: Right hand side		

-123456 : Up to F.No.07501-123456

123456- : From F.No.07501-123456

12 x 3/4 x 5,6 Figures in the description column show the dimensions of parts.

ID OD T(or W,L)

3. INNER PARTS OF ASSEMBLY

Parts number that have a period (.) mark in front of the part description on a text page are separately serviced parts of the assembly.

4. MODIFICATION NOTICE

A parts bulletin will be sent to you on all occasions when changes in parts occur, including interchangeable modifications between new parts and old ones.

5. NOTE

5-1. There are some different parts from those of production models among spare parts for the administrative reasons and common use of them with other models.

5-2. In respect of rubber hoses and vinyl tubes, please be sure to use them by cutting off according to the length mentioned on parts catalogue or what is actually required on the vehicle.

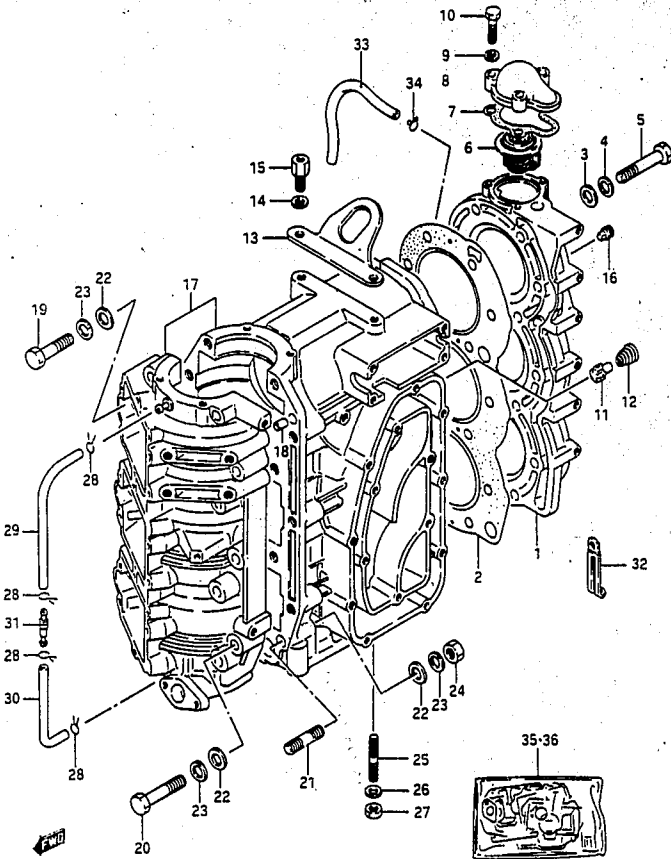
5-3. Note that the drawings on the illustration page are for ready reference of spare parts number, not to be used as an assembly manual. When assembling, use "CABREA SERVICE MANUAL".

6. ENGINE NUMBER

CABREA EL 75 : 07501-811181-

CABREA EL 85 : 8501-820273-

FIG.1

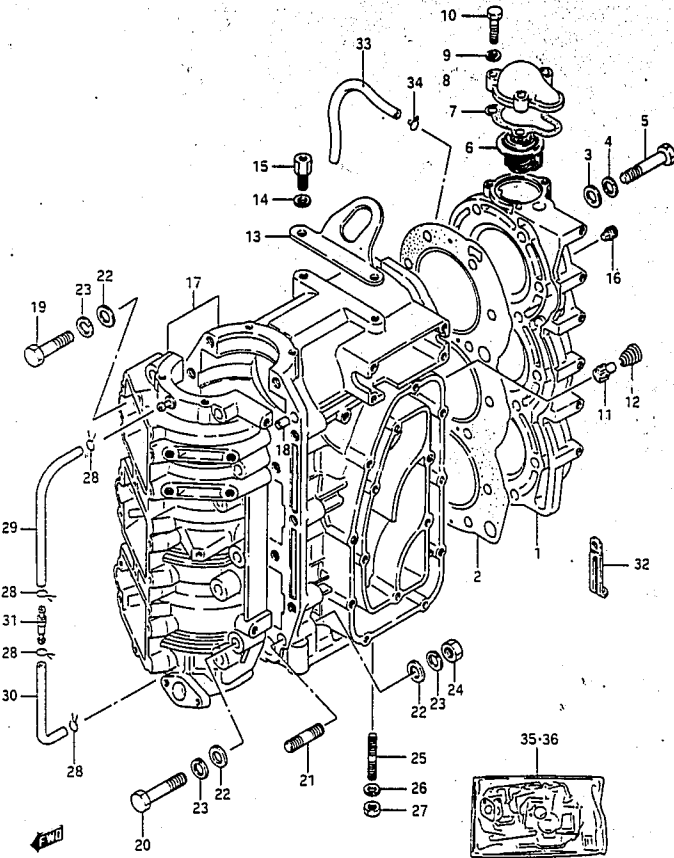


1

FIG.1 (B- 2) CYLINDER

REF.NO.	PART NO.	DESCRIPTION	Q'TY		REMARKS
			75	85	
1	11110-95508-10V	CYLINDER HEAD	1	1	
2	11141-95505	GASKET, cylinder head	1	1	
3	08322-11107	WASHER	14	14	
4	08321-21107	LOCK WASHER	14	14	
5	01107-10608	BOLT	14	14	
6-1	17670-94503	THERMOSTAT (50°C)	1	-	
6-2	17670-95301	THERMOSTAT (42°C)	-	1	
6-3	17670-95291	THERMOSTAT (62°C)	1	1	OPT
7	17685-95501	GASKET, thermostat (T:1)	1	1	
8	17681-95502-10V	COVER, thermostat	1	1	
9	08321-21062	LOCK WASHER	3	3	
10	01107-06302	BOLT	3	3	
11	17611-95201	VALVE, water bypass	1	1	
12	09441-12001	SPRING	1	1	
13	11291-95501	HOOK, engine	1	1	
14	08321-31082	LOCK WASHER	2	2	
15	11292-95500	BOLT	2	2	
16	09246-04003	PLUG	1	1	
17	11301-95531-10V	CYLINDER/CRANKCASE ASSY	1	1	
18	04211-09109	.DOWEL PIN (6.4x9x10)	2	2	
19	01107-10452	.BOLT (10x45)	3	3	
20	01107-10552	.BOLT (10x55)	10	10	
21	01421-10452	.STUD BOLT	1	1	
22	08322-11102	.WASHER	14	14	
23	08321-21102	.LOCK WASHER	14	14	
24	08310-12102	.NUT	1	1	
25	09108-08146	STUD BOLT	1	1	Bx40
26	09162-08007	LOCK WASHER	1	1	
27	09140-08016	NUT	1	1	
28	09401-06403	CLIP	4	4	

FIG.1 (B- 3) CYLINDER



REF.NO.	PART NO.	DESCRIPTION	Q'TY		REMARKS
			75	85	
29	09354-31684-300	HOSE, lubrication (1)	1	1	
30	09354-31684-120	HOSE, lubrication (2)	1	1	
31	16710-95200	CHECK VALVE	1	1	
32	09404-10405	CLAMP	2	2	
33	09352-50903-540	HOSE, water inspection	1	1	L:540*110
34	09401-08410	CLIP	2	2	
35	11400-95896	GASKET SET	1	-	OPT
36	11401-95862	GASKET SET	-	1	OPT

FIG.2

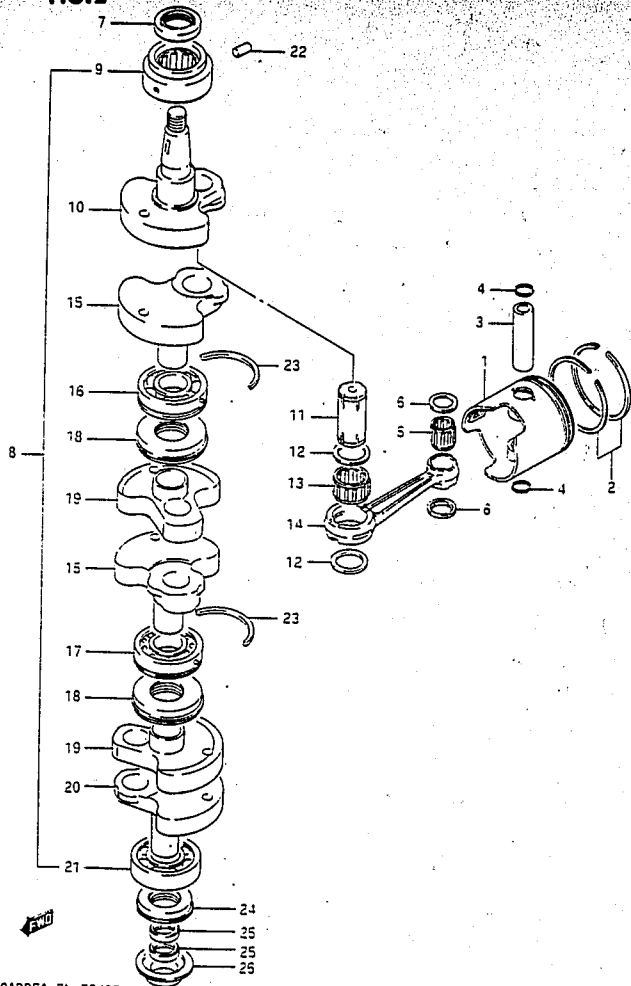


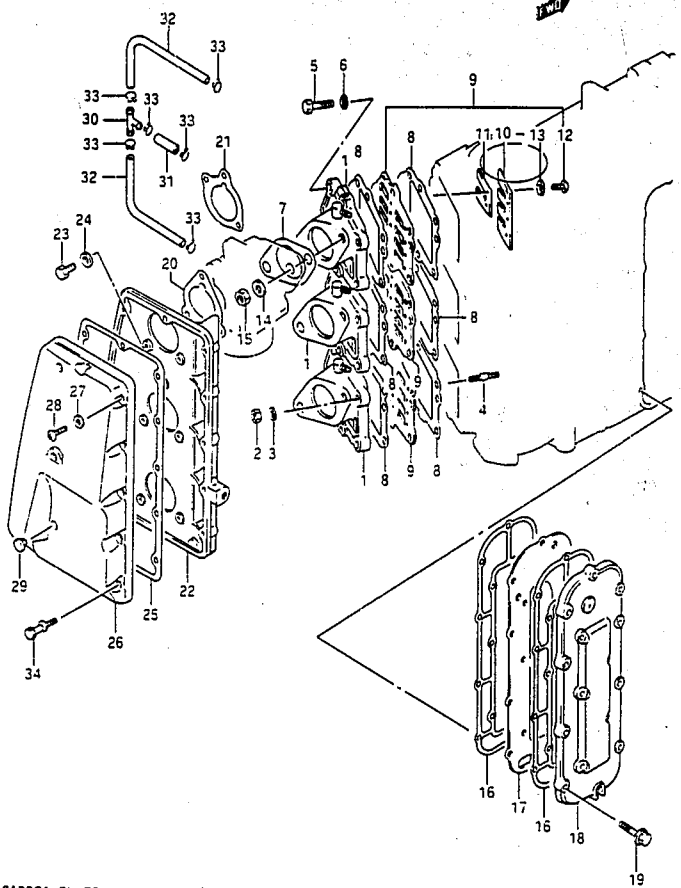
FIG.2 (B-4) CRANKSHAFT

REF.NO.	PART NO.	DESCRIPTION	Q'TY	75	85	REMARKS
1-1	12110-95513	PISTON (B1.5)	3	3		
1-2	12110-95324-025	PISTON (OS:0.25)	3	3		OPT
1-3	12110-95324-050	PISTON (OS:0.50)	3	3		OPT
2-1	12140-95302	RING SET, piston (B1.5)	3	3		
2-2	12140-95311-025	RING SET, piston (OS:0.25)	3	3		OPT
2-3	12140-95311-050	RING SET, piston (OS:0.50)	3	3		OPT
3	12151-95500	PIN, piston	3	3		
4	09381-20004	CIRCLIP, piston pin	6	6		
5	09263-20034	BEARING, piston pin	3	3		
6	09169-20001	WASHER, connecting rod	6	6		
7	09283-30029	OIL SEAL, upper (30x47x8)	1	1		
8-1	12200-95514	CRANKSHAFT ASSY	1	-		
8-2	12200-95532	CRANKSHAFT ASSY	-	1		
9	09264-40001	.BEARING, upper	1	1		
10	12221-95503	.CRANKSHAFT, upper	1	1		
11	12211-95503	.PIN, crank (7x28x64)	3	3		
12-1	08211-28363	.WASHER	6	-		
12-2	08211-28362	.WASHER	-	6		
13-1	09263-28012	.BEARING, crank pin	3	-		
13-2	09263-28018	.BEARING, crank pin	-	3		
14-1	12161-95504	.ROD, connecting	3	-		
14-2	12161-95301	.ROD, connecting	-	3		
15	12231-95502	.CRANKSHAFT, middle upper	2	2		
16	09262-30053	.BEARING, middle upper	1	1		
17	09264-30007	.BEARING, middle lower	1	1		
18	12321-95210	.SEAL, labyrinth	2	2		
19	12232-95500	.WHEEL, middle crankshaft	2	2		
20	12240-95504	.CRANKSHAFT, lower	1	1		
21	09262-30049	.BEARING, lower	1	1		30x72x19
22	04221-04089	DOWEL PIN	1	1		
23	09390-72008	RING, bearing	2	2		
24	09283-30042	OIL SEAL	1	1		
25	09282-20003	OIL SEAL, driveshaft upper	2	2		20x30x6
26	11431-95502	HOUSING, oil seal	1	1		

FIG.3

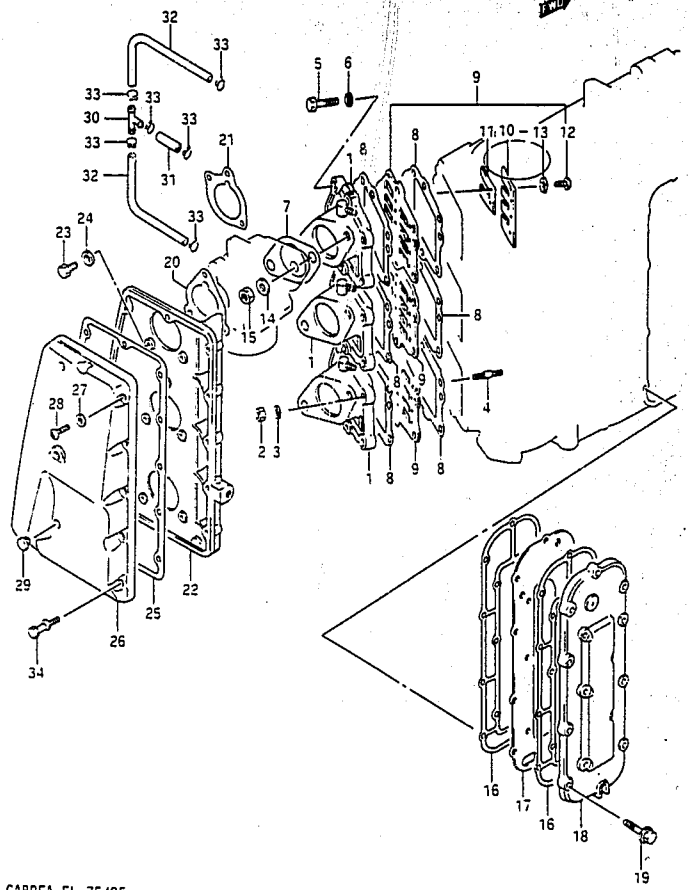
4

FIG.3 (B-5) INLET CASE - EXHAUST COVER



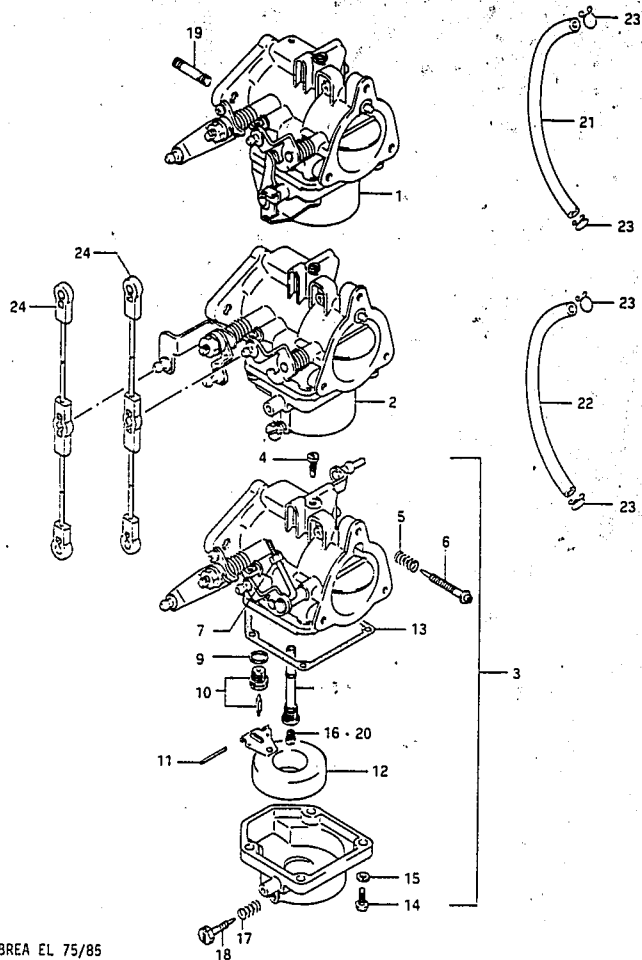
REF.NO.	PART NO.	DESCRIPTION	75	85	REMARKS
1-1	13110-95610-10V	CASE, inlet	3	-	
1-2	13110-95600-10V	CASE, inlet	-	3	
2	08310-11062	NUT	6	6	
3	08321-21062	LOCK WASHER	6	6	
4	01421-06252	STUD BOLT	6	6	
5	01107-06302	BOLT	12	12	
6	08321-21062	LOCK WASHER	12	12	
7-1	13125-93000	GASKET (ID:34)	3	-	
7-2	13125-95200	GASKET (ID:41)	-	3	
8-1	13121-95510	GASKET, inlet case (T:0.5)	6	-	
8-2	13121-95500	GASKET, inlet case (T:0.5)	-	6	
9	13150-95510	VALVE ASSY, reed	3	3	
10	13152-95500	.STOPPER, reed valve	12	12	
11	13153-95501	.REED VALVE	12	12	
12	02112-03068	.SCREW	24	24	
13	08321-21038	.LOCK WASHER	24	24	
14	08322-11082	WASHER	6	6	
15	08310-22082	NUT	6	6	
16	14151-95501	GASKET, exhaust cover	2	2	
17	14131-95505	PLATE, exhaust cover	1	1	
18	14141-95501-10V	COVER, exhaust	1	1	
19	01517-06302	BOLT	15	15	
20	13855-93300	GASKET, silencer	3	-	
21	13855-95200	GASKET, silencer	-	3	
22-1	13811-95517-10V	CASE, silencer	1	-	
22-2	13811-95503-10V	CASE, silencer	-	1	
23-1	01107-06162	BOLT	8	-	
23-2	01107-06162	BOLT	-	6	
24-1	08322-21062	WASHER	8	-	
24-2	08322-21062	WASHER	-	6	

FIG.3 (B- 6) INLET CASE - EXHAUST COVER



REF.NO.	PART NO.	DESCRIPTION	Q'TY		REMARKS
			75	85	
25	13853-94700	GASKET, silencer cover	1	1	T:1.5
26	13812-95503	COVER, silencer	1	1	
27	78322-21052	WASHER	11	11	
28	09125-05071	SCREW	11	11	
29	09250-15010	PLUG	3	1	
30	09367-06002	3 WAY	1	1	
31	09352-50903-045	HOSE	1	1	
32	09352-50903-125	HOSE	2	2	
33	09401-08410	CLIP	6	6	
34	09139-05041	SCREW	1	1	

FIG.4

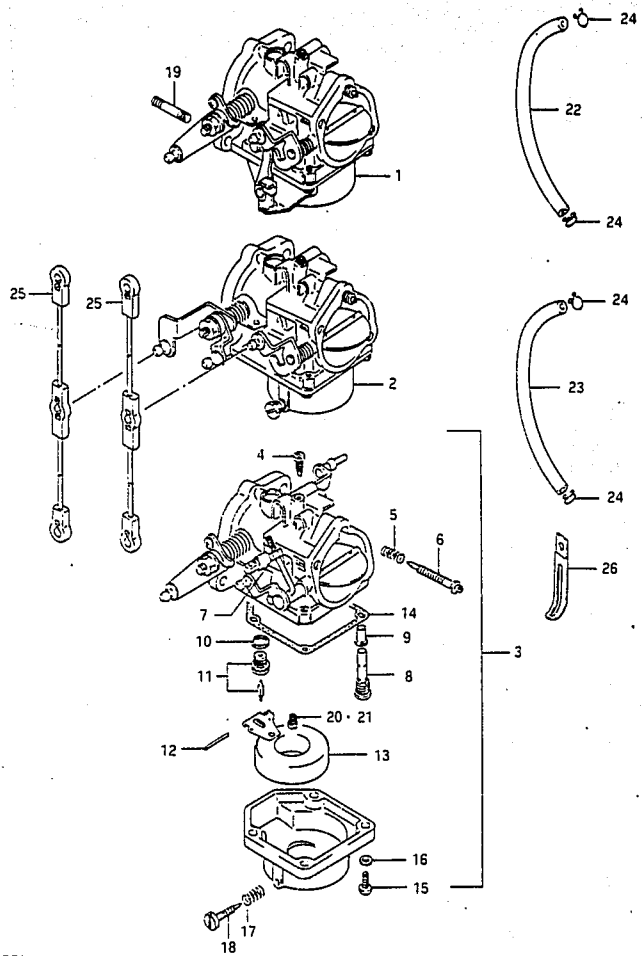


6

FIG.4 (B-7) CARBURETOR (0775)

REF.NO.	PART NO.	DESCRIPTION	Q'TY	REMARKS
1	13201-95610	CARBURETOR, top	1	
2	13202-95610	CARBURETOR, 2nd	1	
3	13203-95610	CARBURETOR, 3rd	1	
4	09492-80003	.JET, pilot (#80)	3	
5	13271-93311	.SPRING, air screw	3	
6	13269-93311	.ADJUSTER	3	
7	13582-95216	.NUT	3	
8	13235-95210	.NOZZLE	3	
9	13392-58600	.GASKET, valve seat	3	
10	13370-28110	.VALVE ASSY, needle	1	VS:1.5
11	13254-93010	.PIN, float	3	
12	13250-93012	.FLOAT	3	
13	13251-93310	.GASKET, float chamber	3	
14	13249-95520	.SCREW	12	
15	09162-05002	.LOCK WASHER	12	
16	09491-28007	.JET, main (#140)	3	
17	13271-93311	.SPRING	3	
18	13616-94500	.SCREW, drain	3	
19	01411-08202	.STUD BOLT	3	
20-1	09491-26009	JET, main (#130)	3	OPT
20-2	09491-27008	JET, main (#135)	3	OPT
20-3	09491-29006	JET, main (#145)	3	OPT
21	09352-50903-540	HOSE (top to 2nd)	1	L:540-120
22	09352-50903-540	HOSE (2nd to 3rd)	1	L:540-180
23	09401-08410	CLIP	4	
24	13510-94700	ROD	2	

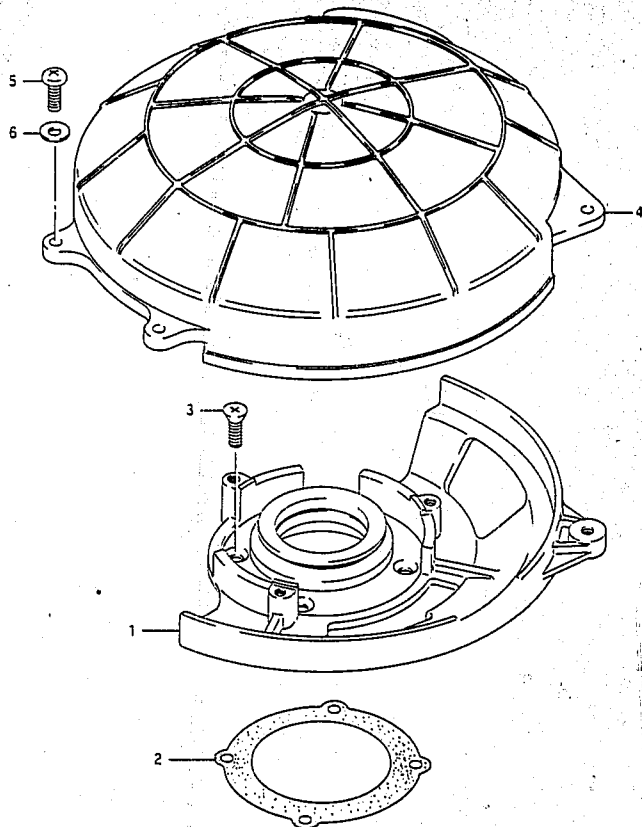
FIG.5



7

FIG.5 (B- 8) CARBURETOR (DT85)

REF.NO.	PART NO.	DESCRIPTION	Q'TY	85	REMARKS
1	13201-95600	CARBURETOR, top	1		
2	13202-95600	CARBURETOR, 2nd	1		
3	13203-95600	CARBURETOR, 3rd	1		
4	09492-80003	.JET, pilot (#80)	3		
5	13271-93311	.SPRING, air screw	3		
6	13269-95210	.ADJUSTER	3		
7	13582-95216	.NUT	1		
8	13236-94400	.NOZZLE, main	3		
9	13237-94400	.NOZZLE, upper	3		
10	13392-58600	.GASKET, valve seat	3		
11	13370-28110	.VALVE ASSY, needle	3	VS:1.5	
12	13254-93010	.PIN, float	3		
13	13250-93012	.FLOAT	3		
14	13251-95210	.GASKET, float chamber	3		
15	13249-95510	.SCREW	12		
16	09162-05002	.LOCK WASHER	12		
17	13271-93311	.SPRING	3		
18	13616-94500	.SCREW, drain	3		
19	01411-08202	.STUD BOLT	3		
20	09491-31007	.JET, main (#157.5)	3		
21-1	09491-30009	JET, main (#152.5)	1	OPT	
21-2	09491-31003	JET, main (#147.5)	1	OPT	
21-3	09491-34006	JET, main (#172.5)	1	OPT	
22	09352-50903-650	HOSE (top to 2nd)	1	L:650*120	
23	09352-50903-650	HOSE (2nd to 3rd)	1	L:650*180	
24	09401-08410	CLIP	1		
25	13510-94700	ROD	1		
26	09404-06203	CLAMP	1		

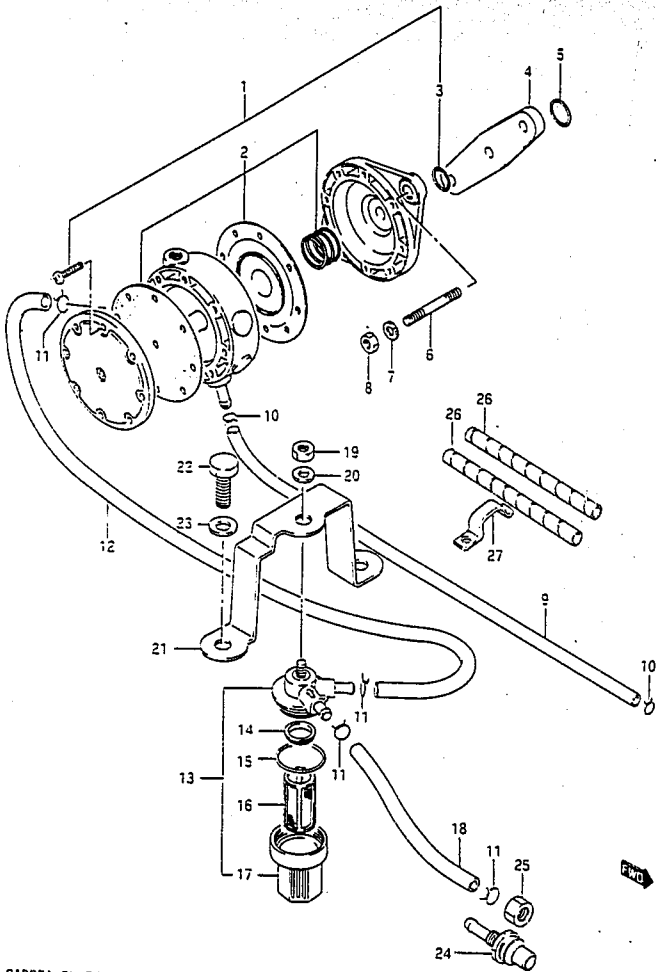


8

FIG. 6 (B- 9) OIL SEAL HOUSING

REF. NO.	PART NO.	DESCRIPTION	Q'TY		REMARKS
			75	85	
1	11410-95510-10V	HOUSING, upper oil seal	1	1	
2	11421-95500	GASKET (T:0.5)	1	1	
3	09126-06008	SCREW	4	4	
4	11511-95500	COVER, magneto	1	1	
5	02112-06162	SCREW	3	3	
6	03322-21062	WASHER	3	3	

FIG.7



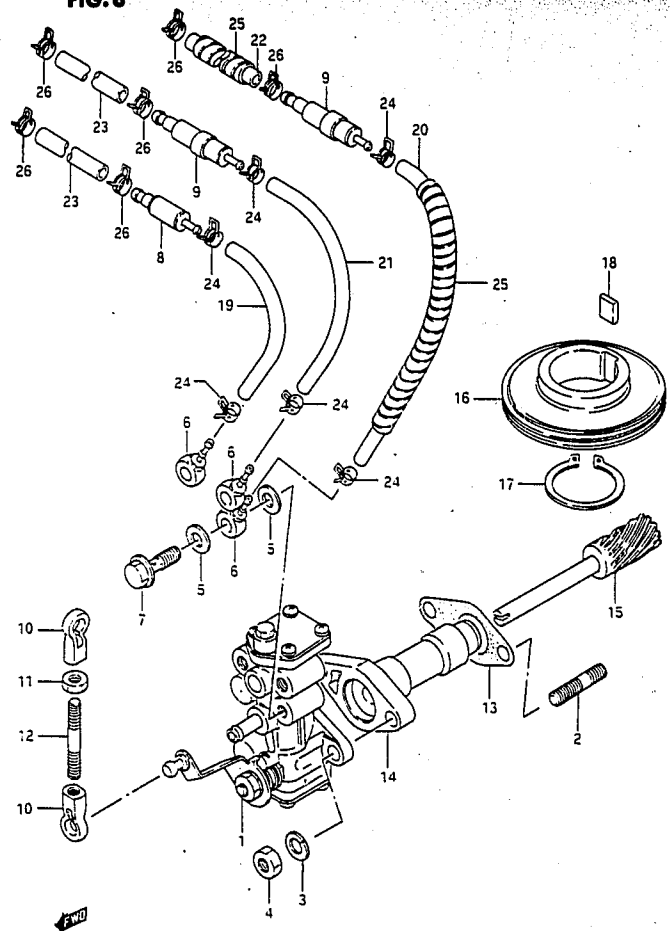
9

FIG.7 (B-10) FUEL PUMP

REF.NO.	PART NO.	DESCRIPTION	Q'TY		REMARKS
			75	85	
1	15100-95512	PUMP ASSY, fuel	1	1	
2	15100-72812	.DIAPHRAGM SET	1	1	
3	15165-93010	.O RING	1	1	
4	15322-93000	INSULATOR	1	1	
5	09280-12005	O RING (ID:11.8,d:2.4)	1	1	
6	01421-06252	STUD BOLT	2	2	
7	08321-21062	LOCK WASHER	2	2	
8	08310-11062	NUT	2	2	
9	09352-50903-650	HOSE, fuel (pump+carb)	1	1	L:650+370
10	09401-08410	CLIP	-	6	
11	09401-10410	CLIP	4	4	
12	09352-70113-655	HOSE, fuel (filter+pump)	1	1	L:655+140
13	15410-95510	FILTER, fuel	1	1	
14	15416-93400	.PACKING	1	1	
15	15415-93400	.O RING	1	1	
16	15412-93400	.STRAINER	1	1	
17	15413-93400	.CUP	1	1	
18	09352-70113-655	HOSE, fuel (connector+filter)	1	1	L:655+415
19	08310-22082	NUT	1	1	
20	08321-21082	LOCK WASHER	1	1	
21	15421-95512	BRACKET, fuel filter	1	1	
22	09100-06115	BOLT	2	2	
23	09162-06001	WASHER	2	2	
24	65720-94411	PLUG, fuel connector	1	1	
25	08310-22122	NUT	1	1	
26	16911-94500	PROTECTOR	2	2	L:390+65
27	09403-10307	CLAMP	1	1	

END

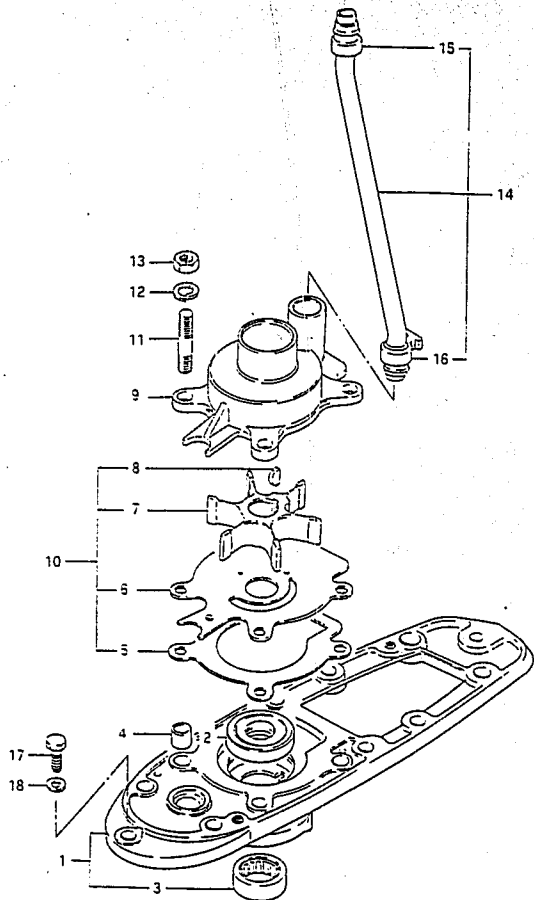
FIG. 8



10

FIG. 8 (B-11) OIL PUMP

REF.NO.	PART NO.	DESCRIPTION	Q'TY		REMARKS
			75	85	
1-1	16100-95511	PUMP ASSY, oil	1	-	
1-2	16100-95504	PUMP ASSY, oil	-	1	
2	01421-06302	STUD BOLT	2	2	
3	09162-06006	LOCK WASHER	2	2	
4	09140-06013	NUT	2	2	
5	09168-06023	GASKET (6.5x12x1.4)	6	6	
6	09363-02002	UNION	3	3	
7	09360-06012	BOLT	3	3	
8	16710-94600	CHECK VALVE (Single)	1	1	
9	16710-94610	CHECK VALVE (Double)	2	2	
10	19131-95502	CONNECTOR	2	2	
11	09140-05001	NUT	1	1	
12	16411-95500	ROD, control	1	1	
13	16731-95500	GASKET	1	1	
14	16340-95510	RETAINER, driven gear	1	1	
15	16331-95511	GEAR, driven	1	1	
16	16321-95502	GEAR, drive	1	1	
17	08331-11308	CIRCLIP	1	1	
18	09421-10001	KEY	1	1	
19	09351-25703-050	HOSE, outlet	1	1	
20	09351-25703-080	HOSE, outlet	1	1	
21	09351-25703-190	HOSE, outlet	1	1	
22	09351-50803-040	HOSE, outlet	1	1	
23	09351-50803-100	HOSE, outlet	2	2	
24	09401-06405	CLIP	6	6	
25	16911-94500	PROTECTOR	3	3	
26	09401-08409	CLIP	6	6	

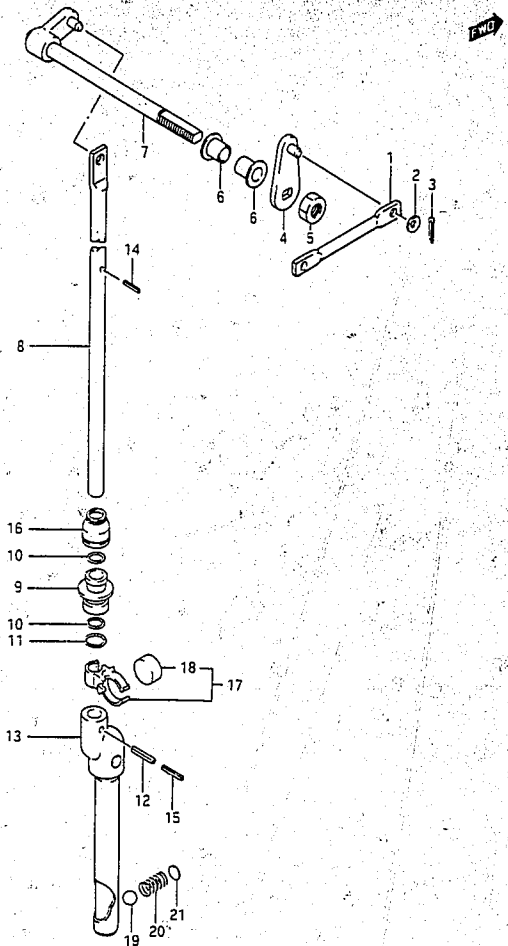


11

FIG. 9 (B-12) WATER PUMP

REF.NO.	PART NO.	DESCRIPTION	Q'TY		REMARKS
			75	85	
1	56130-95505-10V	HOUSING, driveshaft bearing	1	1	
2	09282-20007	.OIL SEAL	2	2	
3	09263-25025	.BEARING (25x33x15)	1	1	
4	09206-11016	DOWEL PIN (8.4x11x12)	4	4	
5	17472-95200	GASKET, pump case panel	1	1	
6	17471-95504	PANEL, case lower	1	1	
7	17461-95300	IMPELLER	1	1	
8	09420-04005	KEY	1	1	
9	17411-95204	CASE, water pump	1	1	
10	17400-95550	WATER PUMP REPAIR KIT	1	1	OPT
11	D9108-08088	STUD BOLT	4	4	
12	09162-08007	LOCK WASHER	4	4	
13	09140-08016	NUT	4	4	
14-1	17560-95500	TUBE, water (B)	1	1	L:222
14-2	17560-95261	TUBE, water (D)	1	1	L:349
15	17563-95500	.RUBBER, water tube upper	1	1	
16	17564-95501	.RUBBER, water tube lower	1	1	
17	09100-08232	BOLT	1	1	
18	09162-08007	LOCK WASHER	1	1	

FIG. 10

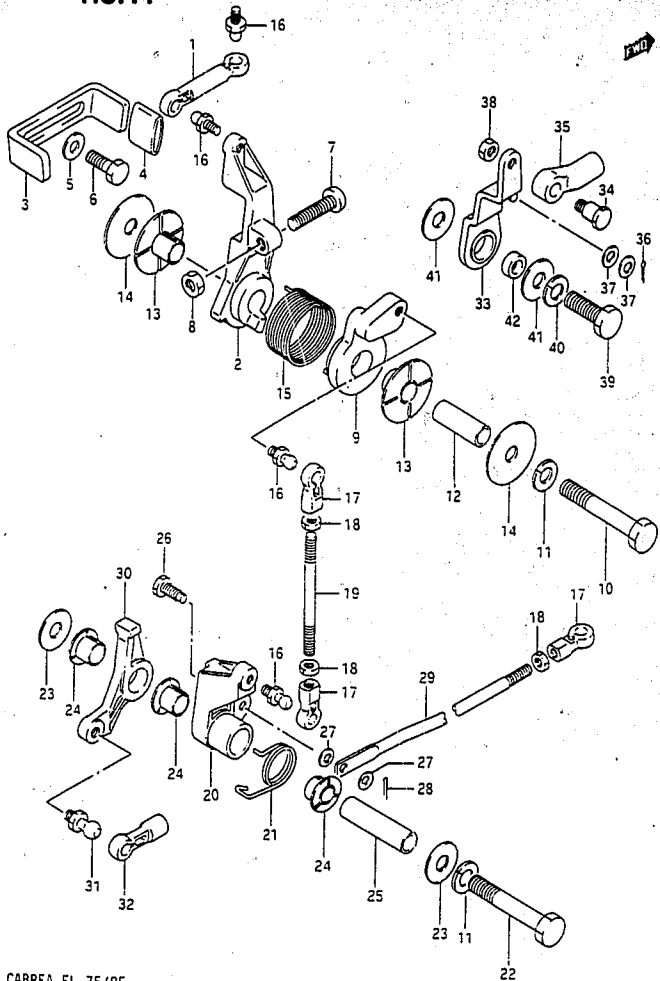


12

FIG. 10 (C- 2) CLUTCH

REF. NO.	PART NO.	DESCRIPTION	Q'TY		REMARKS
			75	85	
1	23111-95500	ROD, clutch control	1	1	
2	09164-05002	WAVE WASHER	2	2	
3	09204-01001	COTTER PIN	1	1	
4	21230-95500	ARM, clutch shaft side	1	1	
5	08319-31087	NUT	1	1	
6	09306-08003	BUSH	2	2	
7	21210-95201	SHAFT, clutch	1	1	
8	25111-95502	ROD, shift upper (B)	1	1	L:679
9	25211-95203	GUIDE, shifting rod	1	1	
10	09280-08005	O RING	2	2	
11	09280-11001	O RING	1	1	
12	09205-03030	SPRING PIN No.1	1	1	
13	25310-95540	CAM, shift	1	1	
14	09205-02004	PIN, stopper (2.8x12)	1	1	
15	09205-02012	SPRING PIN, No.2	1	1	
16	25223-95200	DUST SEAL	1	1	
17	25230-94300	MAGNET SET, gear case	1	1	
18	25232-94300	MAGNET, gear case	1	1	
19	09260-10005	BALL NOTCH	1	1	
20	09440-07033	SPRING	1	1	
21	21121-93300	PLATE	0-1	0-1	

FIG. 11

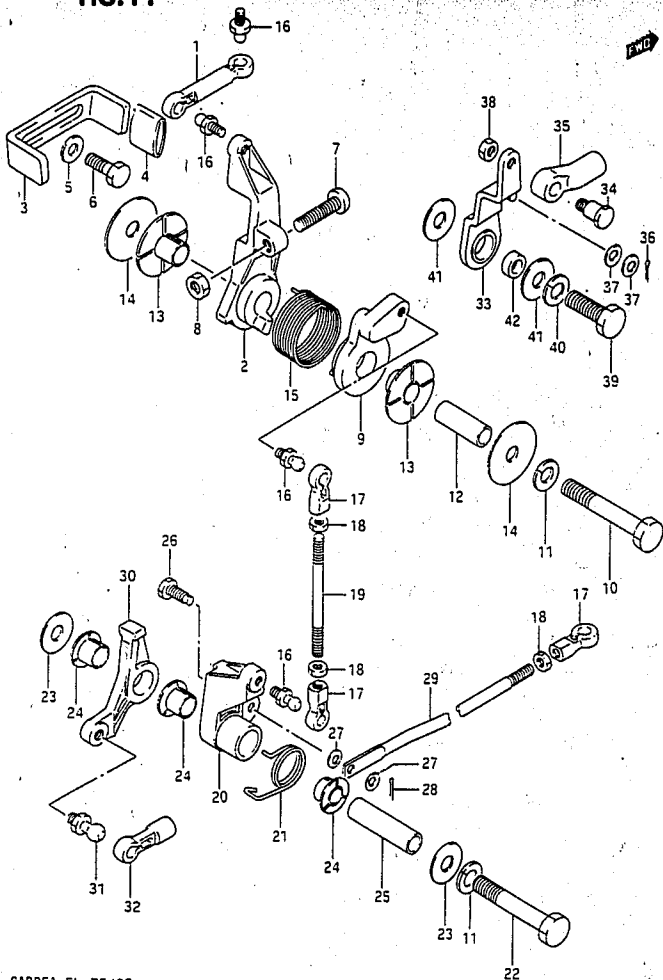


13

FIG.11 (C- 3) THROTTLE LINK

REF.NO.	PART NO.	DESCRIPTION	Q'TY		REMARKS
			75	85	
1	19132-95500	CONNECTOR	1	1	
2	19211-95500-10V	LEVER, spark advance	1	1	
3	19216-95503	PLATE	1	1	
4	09343-12004	PROTECTOR, adjust plate	1	1	
5	09160-06100	WASHER	2	2	
6	09100-06122	BOLT (6x20)	2	2	
7	09100-06083	BOLT	1	1	
8	09140-06004	NUT	1	1	
9	19212-95501-10V	LEVER, inter link advance	1	1	
10	01107-08502	BOLT	1	1	
11	08321-21082	LOCK WASHER	2	2	
12	09205-11003	SPACER	1	1	
13	09306-11005	BUSH	2	2	
14	09160-08046	WASHER (8x34x1)	2	2	
15	09448-33010	SPRING, advance lever	1	1	
16	09119-05010	BALL PIVOT	5	5	
17	19131-95502	CONNECTOR	3	3	
18	08310-11052	NUT	3	3	
19	19136-95510	ROD (L:76.5)	1	1	
20	19121-95501-10V	LEVER, throttle control	1	1	
21	09448-26003	SPRING	1	1	
22	01107-08602	BOLT (8x60)	1	1	
23	09160-08045	WASHER (8x22x1)	2	2	
24	09306-11004	BUSHING	3	3	
25	09205-11002	PIN	1	1	

FIG. 11

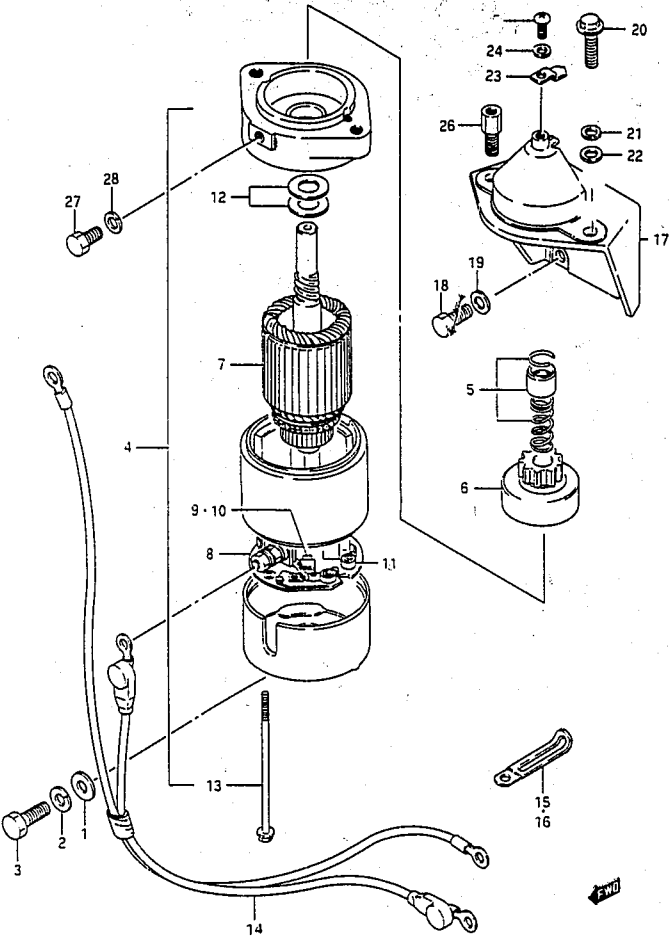


14

FIG.11 (C- 4) THROTTLE LINK

REF.NO.	PART NO.	DESCRIPTION	Q'TY		REMARKS
			75	85	
26	09119-05012	BALL PIVOT	1	1	
27	09164-04001	WAVE WASHER	2	2	
28	09204-01004	COTTER PIN	1	1	
29-1	19135-95511	ROD	1	-	
29-2	19135-95502	ROD	-	1	
30	19122-95501-10V	LEVER, inter link	1	1	
31	09119-06047	BALL PIVOT	1	1	
32	67466-95200	CONNECTOR	1	1	
33	23210-95510	ARM, clutch control	1	1	
34	09111-06021	BOLT	1	1	
35	67467-95201	CONNECTOR	1	1	
36	09204-01001	COTTER PIN	1	1	
37	09164-05002	WAVE WASHER	4	4	
38	09140-06004	NUT	1	1	
39	09100-08232	BOLT (8x30)	1	1	
40	09162-08003	LOCK WASHER	1	1	
41	09160-08014	WASHER (8.5x23x1.5)	2	2	
42	09180-08090	SPACER (8x13x8.5)	1	1	

FIG.12



15

FIG.12 (C- 5) STARTING MOTOR

REF.NO.	PART NO.	DESCRIPTION	Q'TY		REMARKS
			75	85	
1	08322-11082	WASHER	1	1	
2	08321-21082	LOCK WASHER	1	1	
3	01107-08252	BOLT	1	1	
4	31100-95312	MOTOR ASSY, starting	1	1	
5	31312-94601	.STOPPER SET, pinion	1	1	
6	31320-94510	.PINION ASSY	1	1	
7	31310-95310	.ARMATURE	1	1	
8	31173-95310	.HOLDER ASSY, brush	1	1	
9	31131-95310	.BRUSH (+)	1	1	
10	31132-95310	.BRUSH (-)	1	1	
11	31135-95310	.SPRING, brush	3	3	
12	31360-95520	.WASHER KIT	1	1	
13	31281-95310	.BOLT	2	2	
14	33840-95511	CABLE, starter sub (L:410)	1	1	
15	09404-06201	CLAMP (6x45)	1	1	
16	09404-10202	CLAMP (10x50)	1	1	
17	31911-95502-10V	BRACKET, starting motor	1	1	
18	01107-08207	BOLT	4	4	
19	08322-21082	WASHER	4	4	
20	01517-08452	BOLT	1	1	
21	08321-21082	LOCK WASHER	1	1	
22	08322-11082	WASHER	1	1	
23	32495-95502	TIMING, pointer	1	1	
24	09162-05002	LOCK WASHER	1	1	
25	09125-05028	SCREW	1	1	
26	11292-95500	BOLT	1	1	
27	09100-08090	BOLT (8x16)	1	1	
28	09160-08015	WASHER	1	1	

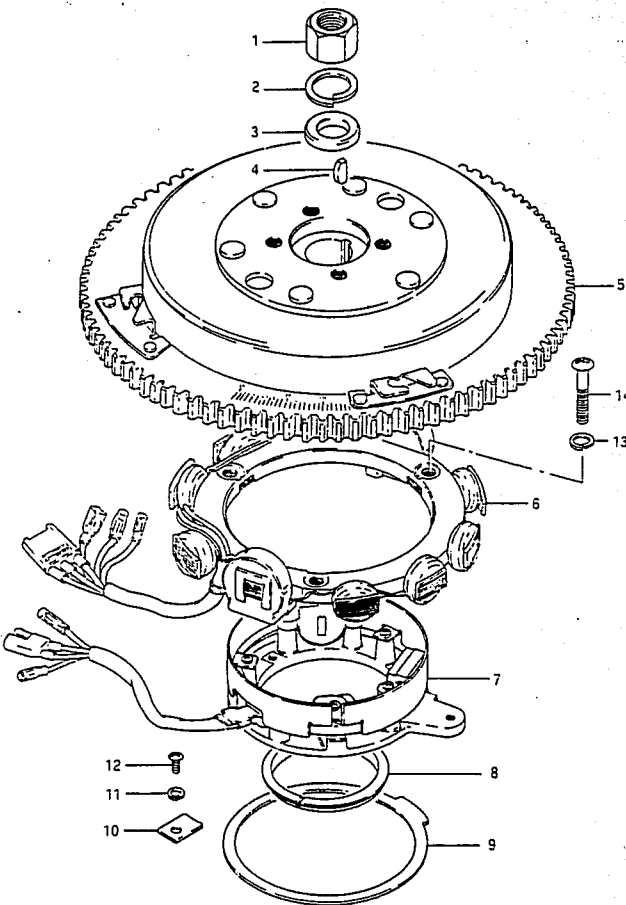
FIG. 13

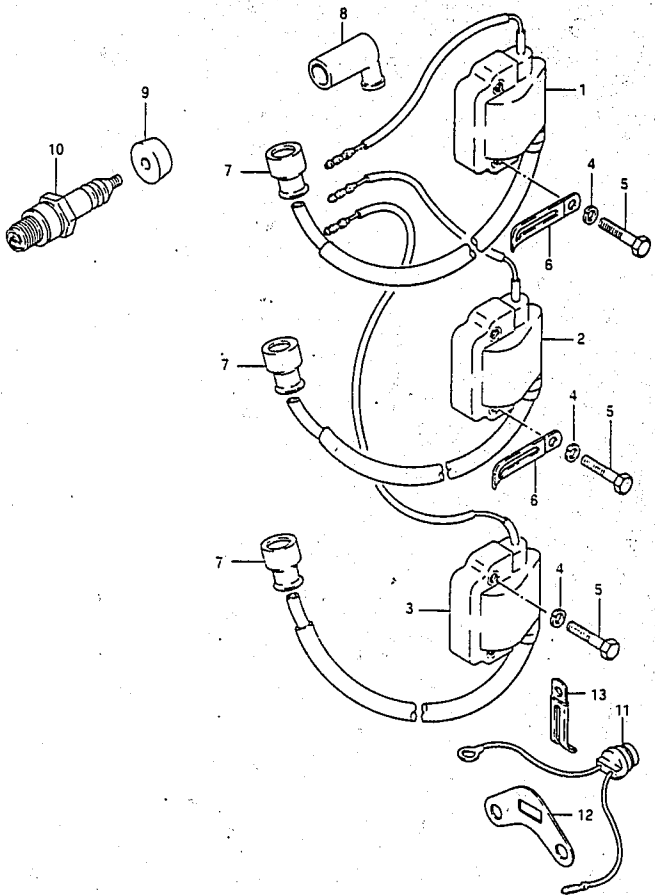
16

FIG. 13 (C- 6) MAGNETO

Q'TY

REF.NO.	PART NO.	DESCRIPTION	75	85	REMARKS
1	08310-12182	NUT	1	1	
2	09164-18001	LOCK WASHER	1	1	
3	09180-18007	WASHER	1	1	
4	08341-31059	KEY	1	1	
5	32102-95510	FLYWHEEL	1	1	
6	32101-95500	STATOR ASSY	1	1	
7	32160-95510	TIMER BASE & sensor assy	1	1	
8	32396-95500	RETAINER (2)	1	1	
9	32395-95501	RETAINER (1)	1	1	
10	32399-95500	CLAMP	3	3	
11	09162-04002	LOCK WASHER	3	3	
12	09125-04004	SCREW	3	3	
13	08321-21062	LOCK WASHER	3	3	
14	02112-06252	SCREW	3	3	



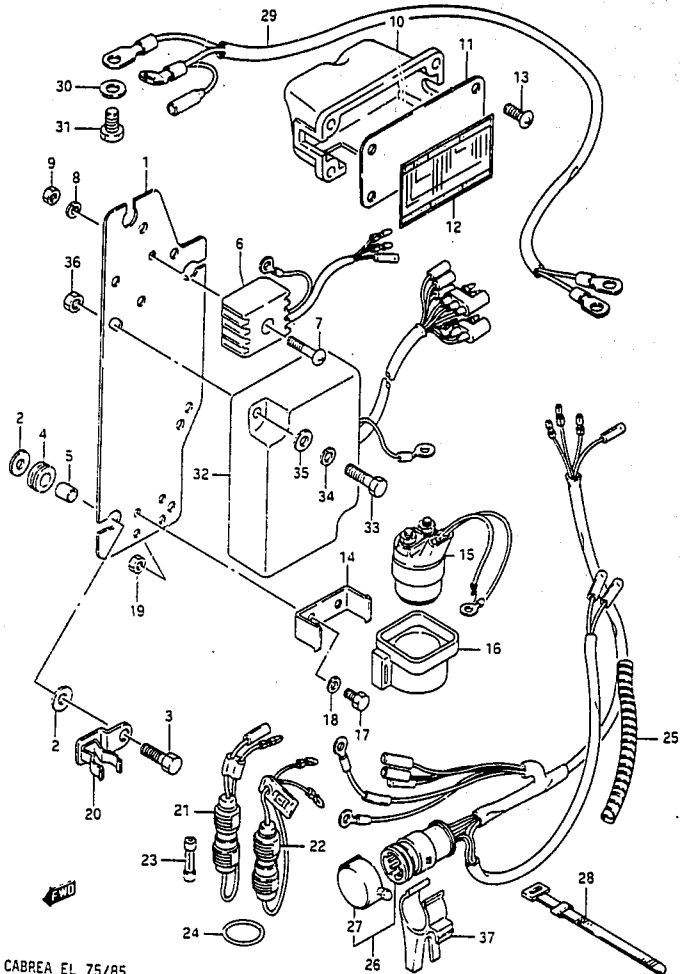


17

FIG. 14 (C-7) IGNITION

REF.NO.	PART NO.	DESCRIPTION	Q'TY		REMARKS
			75	85	
1	33410-95500	COIL ASSY, ignition (1)	1	1	
2	33420-95500	COIL ASSY, ignition (2)	1	1	
3	33430-95500	COIL ASSY, ignition (3)	1	1	
4	08321-21067	LOCK WASHER	6	6	
5	01107-06307	BOLT	6	6	
6	09404-06202	CLAMP (L:60)	2	2	
7	33542-98000	SEAL, cord	3	3	
8	33510-95510	CAP, spark plug	3	3	
9	33541-93310	SEAL	3	3	
10	09482-00151	SPARK PLUG ASSY (NGK, BR8HS)	3	3	
11	34850-95555	HEAT SWITCH	1	1	
12	34853-94500	SUPPORTER	1	1	
13	09404-10201	CLAMP (L:52)	1	1	

FIG.15

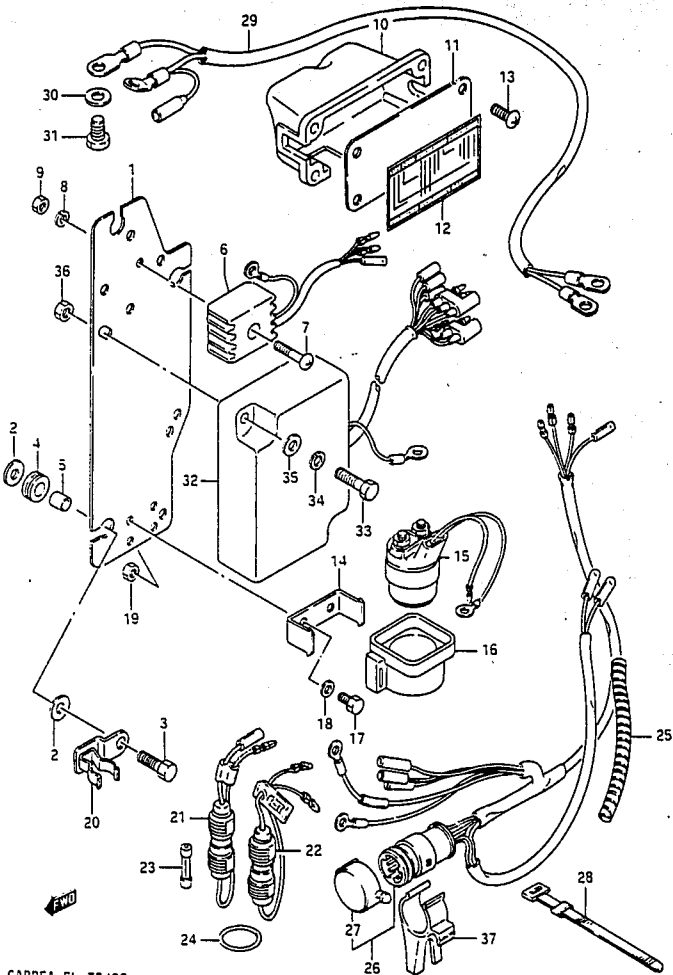


18

FIG.15 (C- 8) ELECTRICAL (1)

REF.NO.	PART NO.	DESCRIPTION	Q'TY		REMARKS
			75	85	
1	32890-95503	HOLDER, electric parts	1	1	
2	09160-06052	WASHER (6.5x16x1.2)	3	3	
3	01107-06207	BOLT	3	3	
4	09320-08001	CUSHION	3	3	
5	09180-06187	SPACER (6.1x8x9.5)	3	3	
6	32800-95001	RECTIFIER ASSY	1	1	
7	02112-05252	SCREW	1	1	
8	08321-21052	LOCK WASHER	1	1	
9	08310-11052	NUT	1	1	
10	36653-95500	BOX, joint	1	1	
11	36650-95202	COVER, joint box (T:3)	1	1	
12	36652-95503	LABEL, joint diagram	1	1	
13	09125-06053	SCREW	4	4	
14	31805-95501	BRACKET, motor relay	1	1	
15	31800-94400	RELAY, starting motor	1	1	
16	38422-94510	DAMPER, starter relay	1	1	
17	02112-05082	SCREW	2	2	
18	08321-21052	LOCK WASHER	2	2	
19	08310-22052	NUT	2	2	
20	36791-95520	HOLDER, fuse case	1	1	
21	36740-94500	CASE ASSY, fuse	1	1	RECTIFIER SIDE
22	36740-95252	CASE ASSY, fuse	1	1	BATTERY SIDE
23	09481-20001	.FUSE (20A)	1	1	
24	09280-21013	O RING	2	2	
25	33833-95500	TUBE (L:100)	1	1	

FIG.15

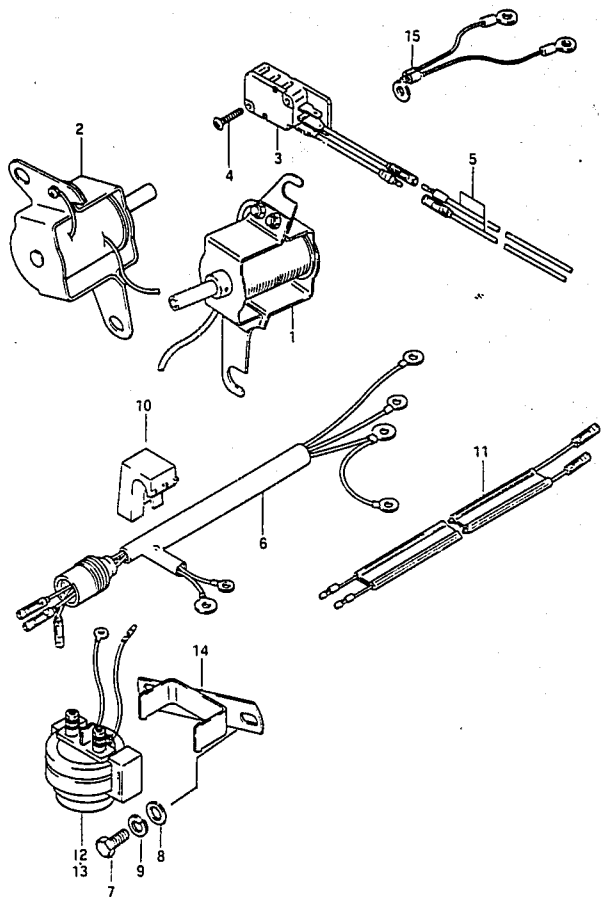


19

FIG.15 (C- 9) ELECTRICAL (1)

REF.NO.	PART NO.	DESCRIPTION	Q'TY		REMARKS
			75	85	
26	36610-95521	WIRING HARNESS	1	1	
27	36634-94301	.CAP	1	1	
28	09407-12402	CLAMP	1	1	
29	33810-95200	CABLE, starting motor (L:2360)	1	1	
30	09160-08015	WASHER (8.5x16x1.6)	1	1	
31	09100-08090	BOLT (8x16)	1	1	
32	32900-95520	C.D UNIT, ignition	1	1	
33	01517-06252	BOLT	2	2	
34	08322-21062	WASHER	2	2	
35	08321-21062	LOCK WASHER	2	2	
36	08310-11062	NUT	2	2	
37	36616-95301	HOLDER, connector	1	1	

FIG.16

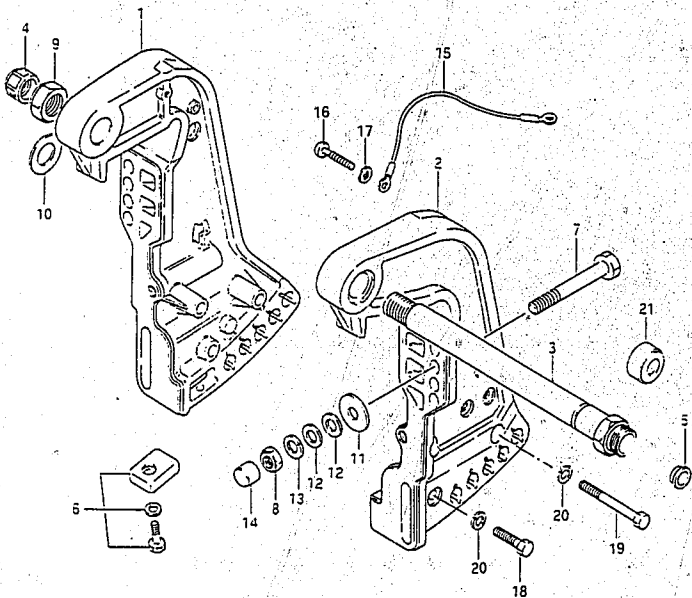


20

FIG.16 (C-10) ELECTRICAL (2)

REF.NO.	PART NO.	DESCRIPTION	Q'TY		REMARKS
			75	85	
1	38600-95510	SOLENOID ASSY, choke	1	-	
2	38600-95555	SOLENOID ASSY, choke	-	1	
3	37721-95551	SWITCH ASSY, neutral	1	1	OPT
4	02112-03168	SCREW	2	2	OPT
5	36820-95550	WIRING HARNESS, neutral switch	1	1	OPT,L:700
6	33830-95514	CABLE, trim relay in	1	1	
7	09100-06113	BOLT	4	4	
8	09160-06015	WASHER	4	4	
9	09162-06001	LOCK WASHER	4	4	
10	36641-95500	STOPPER, relay harness	5	5	
11	36645-95500	TRIM LEAD, extension	1	1	
12	38410-94540	RELAY, trim, UP	1	1	
13	38410-94540	RELAY, trim, DN	1	1	
14	38415-95200	BRACKET, trim relay	2	2	
15	36895-95300	LEAD, engine ground	1	1	

FIG. 17



21

FIG. 17 (D- 2) CLAMP BRACKET

REF. NO.	PART NO.	DESCRIPTION	Q'TY		REMARKS
			75	85	
1	41111-94520-10V	BRACKET, clamp STBD	1	1	
2	41121-94560-10V	BRACKET, clamp PORT	1	1	
3	41151-94500	CAP, clamp bracket shaft	1	1	
4	41151-94500	CAP, clamp bracket shaft	1	1	
5	41152-94500	PLUG, clamp bracket shaft	1	1	
6	55320-95310	ZINC SET, protection	2	2	
7	09100-12039	BOLT	4	4	
8	09140-12028	NUT	4	4	
9	09159-22003	NUT	1	1	
10	09160-22046	WASHER	1	1	
11	09160-12044	WASHER	4	4	
12	09160-12066	WASHER	6	6	
13	09162-12005	LOCK WASHER	4	4	
14	41153-94500	CAP	4	4	
15	36894-95200	LEAD	1	1	
16	09125-05050	SCREW	3	3	
17	09161-05014	WASHER	2	2	
18	09100-10155	BOLT (10x50)	2	2	
19	09100-10156	BOLT (10x80)	4	4	
20	09162-10005	LOCK WASHER	6	6	
21	41161-94400	SEAL, steering cable	1	1	

FIG. 18 (D- 3) SWIVEL BRACKET

REF. NO.	PART NO.	DESCRIPTION	Q'TY		REMARKS
			75	85	
1	43111-95511-10V	BRACKET, swivel	1	1	
2	22511-99003	NIPPLE, grease	4	4	
3	43211-95510	BUSH	2	2	
4	43711-95500	BUSH	2	2	
5	43750-95251-10V	BRACKET, steering	1	1	
6	09140-24010	NUT	1	1	
7	09160-25052	WASHER	1	1	
8	09166-25007	WASHER	1	1	
9	09181-26006	SHIM	0-2	0-2	
10	09181-26007	SHIM	0-2	0-2	
11	09420-05003	KEY	1	1	
12	41220-95501-10V	LEVER, tilt lock	1	1	
13	45420-95500	PIN, tilt lock	1	1	
14	09441-24002	SPRING	1	1	
15	09111-12007	BOLT	1	1	
16	09111-12008	BOLT	2	2	

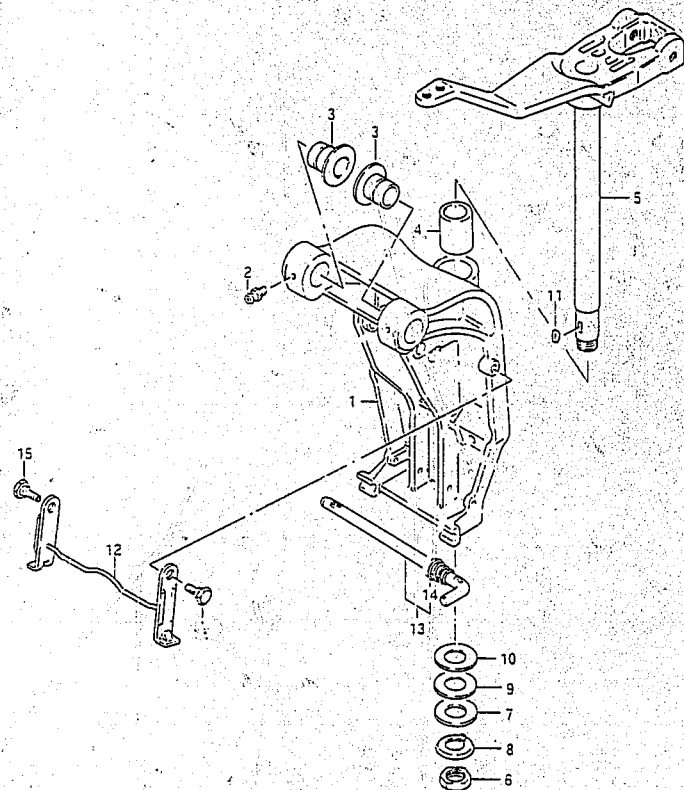
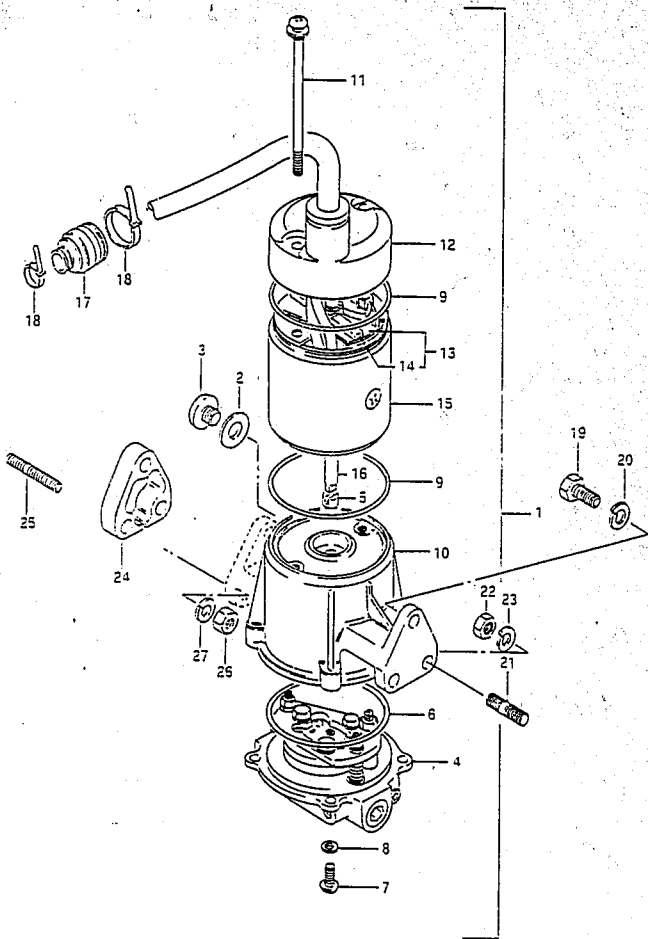


FIG.19

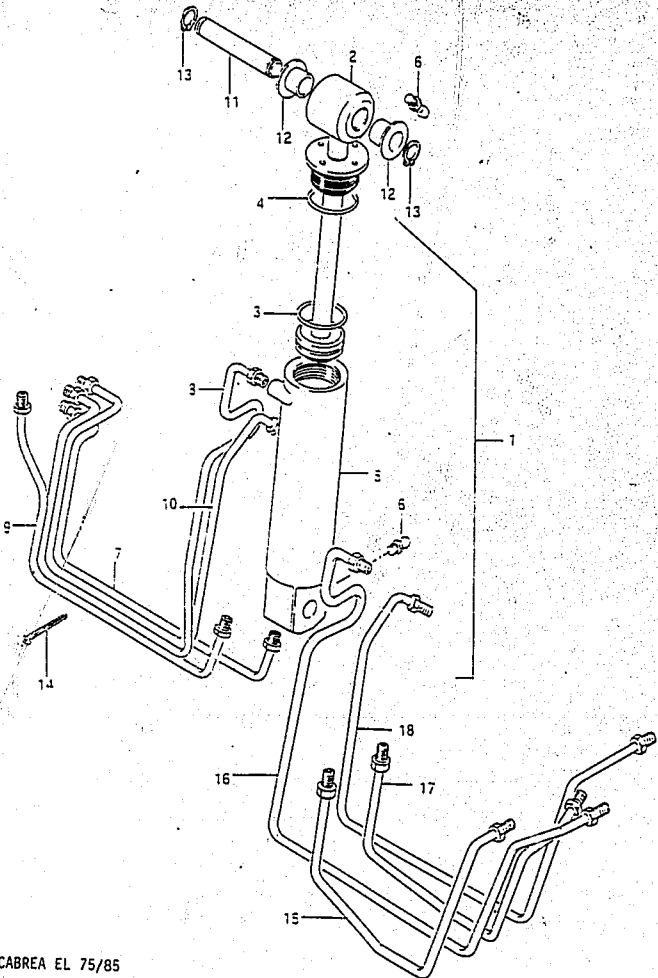


23

FIG.19 (D- 4) POWER UNIT

REF.NO.	PART NO.	DESCRIPTION	Q'TY		REMARKS
			75	85	
1-1	48500-95541-10V	POWER UNIT ASSY, power trim	1	1	
1-2	48500-95284-10V	POWER UNIT ASSY, power trim	1	1	OPT:PORT
2	09168-10022	.GASKET	2	2	
3	09248-10005	.PLUG	2	2	
4	48502-94524	.VALVE BODY	1	1	
5	48583-94520	..DRIVE JOINT	1	1	
6	48585-94520	..O RING	1	1	
7	09125-05048	.SCREW	4	4	
8	09160-05032	.WASHER	4	4	
9	09280-70006	.O RING	2	2	
10	48570-94600-10V	.RESERVOIR ASSY	1	1	
11	31281-94520	.SCREW	2	2	
12	31170-94520-10V	.COVER, upper	1	1	
13	31173-94520	.BRUSH HOLDER ASSY	1	1	
14	31133-94520	..BRUSH	2	2	
15	31110-94520-10V	.YOKE ASSY	1	1	
16	31311-94600	.ARMATURE	1	1	
17	33899-95500	.SEAL, PTT cable	1	1	
18	36632-95501	.CLAMP	2	2	
19	09100-08219	BOLT	1	1	
20	09162-08003	LOCK WASHER	1	1	
21	09108-08130	STUD BOLT	2	2	
22	09140-08016	NUT	2	2	
23	09162-08007	LOCK WASHER	2	2	
24	48131-95200	SPACER POWER UNIT	1	1	OPT PORT
25	09108-08137	STUD BOLT	3	3	OPT PORT
26	09140-08016	NUT	3	3	OPT PORT
27	09162-08007	LOCK WASHER	3	3	OPT PORT

FIG.20

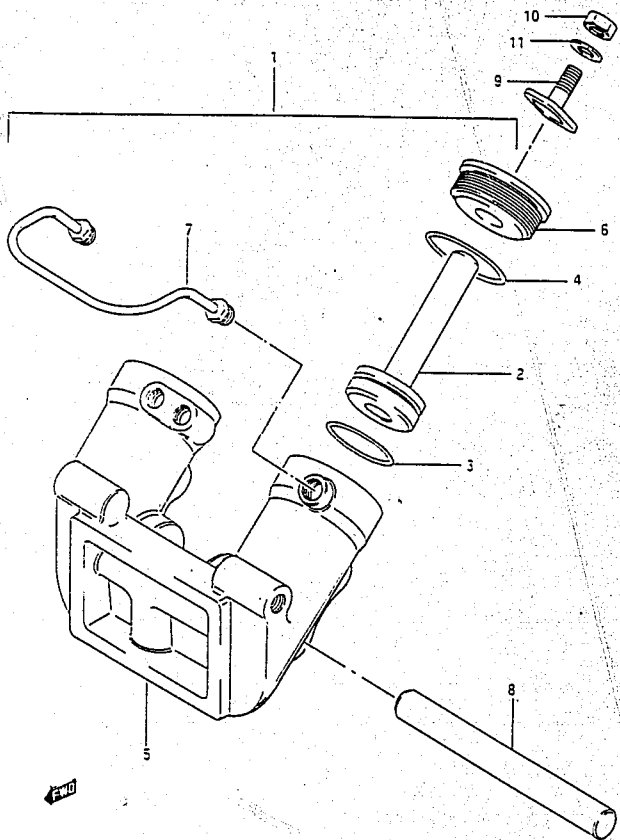


24

FIG.20 (D- 5) TILT CYLINDER

REF.NO.	PART NO.	DESCRIPTION	Q'TY		REMARKS
			75	85	
1	48400-94511-10V	TILT CYLINDER ASSY	1	1	
2	48401-94500	.PISTON & PISTON ROD SUB ASSY	1	1	
3	48427-94500	.O RING, piston	1	1	
4	48433-94500	.O RING	1	1	
5	48441-94510	.TUBE, cylinder	1	1	
6	22511-99003	.NIPPLE, grease	2	2	
7	48720-94521	PIPE, tilt inlet	1	1	
8	48730-94521	PIPE, tilt outlet	1	1	
9	48740-94521	PIPE, trim inlet	1	1	
10	48750-94521	PIPE, trim outlet	1	1	
11	48321-94510	SHAFT, tilt cylinder upper	1	1	
12	09306-16003	BUSHING	2	2	
13	09300-16003	SNAP RING	2	2	
14	36632-95501	CLAMP, PTT pipe	6	6	
15	48720-94580	TUBE, tilt inlet	1	1	OPT PORT
16	48730-94580	TUBE, tilt outlet	1	1	OPT PORT
17	48740-94580	TUBE, trim inlet	1	1	OPT PORT
18	48750-94580	TUBE, trim outlet	1	1	OPT PORT

FIG. 21 (D- 6) TRIM CYLINDER

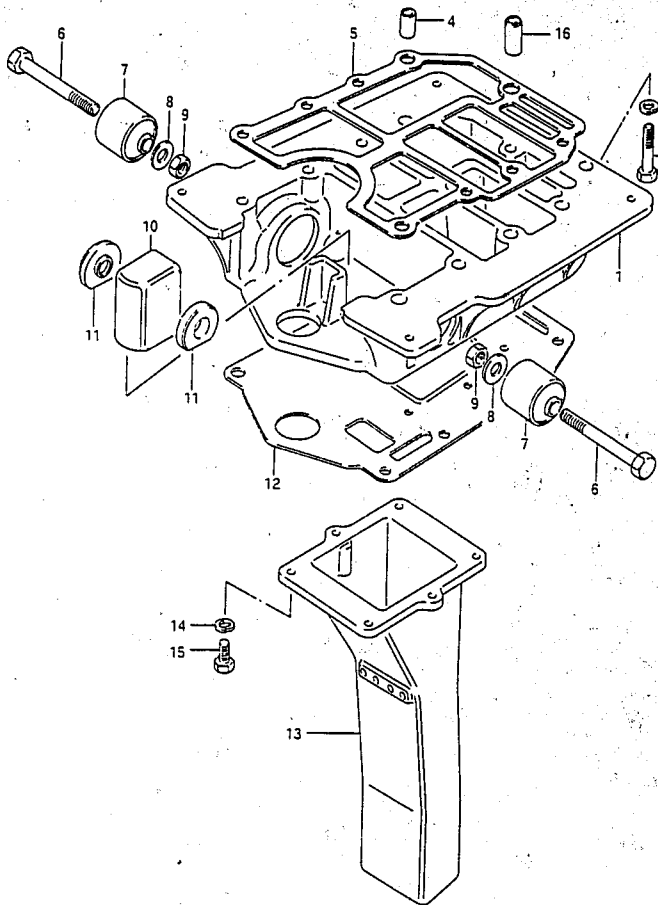


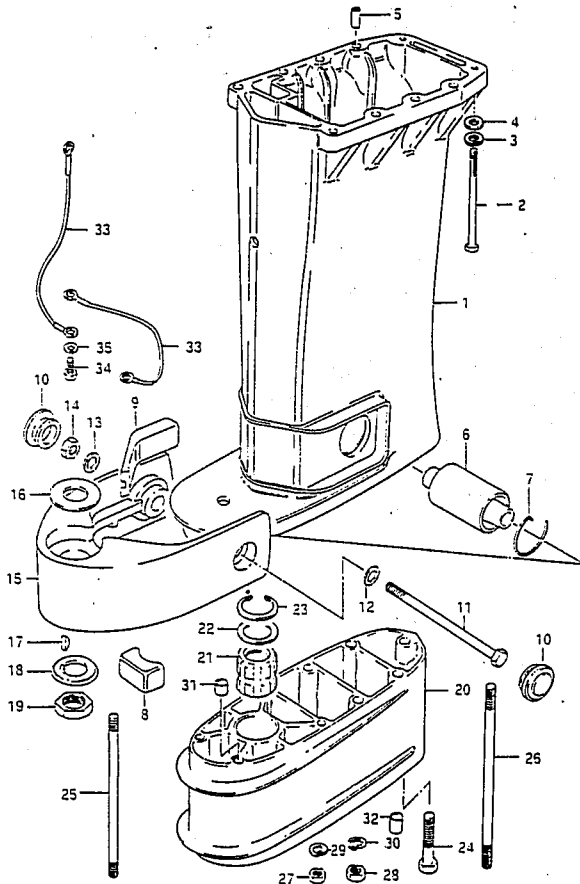
REF.NO.	PART NO.	DESCRIPTION	Q'TY		REMARKS
			75	85	
1	48600-94511-10V	TRIM CYLINDER ASSY	1	1	
2	48601-94501	.PISTON & PISTON ROD ASSY	2	2	
3	48627-94500	.O RING, piston	4	4	
4	48633-94500	.O RING, head	4	4	
5	48641-94510	.CYLINDER, trim	1	1	
6	48630-94500	.HEAD, trim cylinder	2	2	
7	48760-94501	.TUBE, trim cylinder outlet	1	1	
8	48121-94510	SHAFT, tilt cylinder lower	1	1	
9	48311-94501	PAD, trim cylinder RAM	2	2	
10	09140-08016	NUT	2	2	
11	09162-08007	LOCK WASHER	2	2	

FIG. 22 (D- 7) ENGINE HOLDER

Q'TY

REF.NO.	PART NO.	DESCRIPTION	Q'TY		REMARKS
			75	85	
1	51111-95210-10V	HOLDER, engine	1	1	
2	09100-08224	BOLT (8x35)	2	2	
3	09162-08003	LOCK WASHER	2	2	
4	09205-11001	DOWEL PIN (11x14)	2	2	
5	51211-95211	GASKET, engine holder	1	1	
6	09100-10208	BOLT (10x70)	2	2	
7-1	54130-95700	MOUNTING, upper	2	2	
7-2	54130-95510	MOUNTING, upper	2	2	OPT:HARD TYPE
8	09160-10082	WASHER (10.5x19x2)	2	2	
9	09140-10031	NUT	2	2	
10	54135-95200	MOUNTING, upper thrust	1	1	
11	54136-95501	STOPPER, upper mounting	2	2	
12	52113-95210	GASKET, driveshaft housing	1	1	
13	14211-95510	TUBE, exhaust	1	1	
14	09162-06006	LOCK WASHER	6	6	
15	09100-06122	BOLT (6x20)	6	6	
16	09206-11017	COLLER, engine holder	1	1	

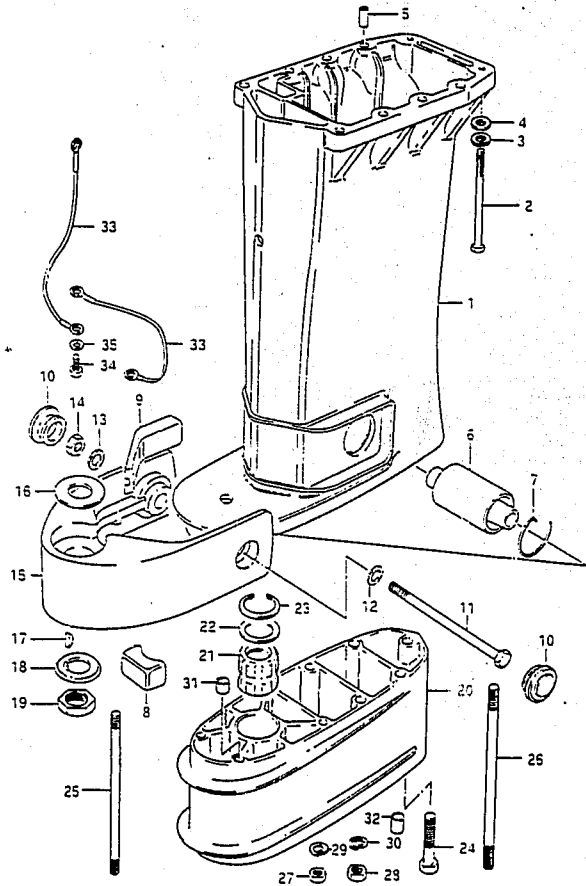




27

FIG. 23 (D- 8) DRIVESHAFT HOUSING

REF.NO.	PART NO.	DESCRIPTION	Q'TY		REMARKS
			75	85	
1	52111-95511-10V	HOUSING, driveshaft	1	1	
2	09100-08213	BOLT	8	8	8x55
3	09162-08003	LOCK WASHER	8	8	
4	09160-08015	WASHER (8.5x16x1.2)	8	8	
5	09205-11001	DOMEL PIN	2	2	
6-1	54160-95501	MOUNTING, lower	1	1	
6-2	54160-95510	MOUNTING, lower	1	1	OPT:HARD TYPE
7	09387-46001	SET RING	2	2	
8-1	54165-95200	MOUNTING, lower thrust	1	1	
8-2	54165-95510	MOUNTING, lower thrust	1	1	OPT:HARD TYPE
9-1	54167-95500	MOUNTING, lower side	2	2	
9-2	54167-95510	MOUNTING, lower side	2	2	OPT:HARD TYPE
10	09250-28001	CAP, lower mounting bracket	2	2	
11	09100-12032	BOLT (12x145)	1	1	
12	09160-12033	WASHER	1	1	
13	09160-12066	WASHER (12.5x22x2.5)	1	1	
14	09140-12029	NUT	1	1	
15	54210-95210-10V	BRACKET, lower mounting	1	1	
16	09160-25052	WASHER (25x48x2)	1	1	
17	09420-05003	KEY, pilot shaft	1	1	
18	09166-25007	WASHER	1	1	
19	09140-24010	NUT	1	1	
21	57130-95500	.BUSHING, driveshaft	1	1	
22	09160-28020	.WASHER	1	1	
24	09100-10155	BOLT	1	1	
25	09108-08092	STUD BOLT	4	1	15.5 X 173.5 X 15.5
26	09108-10043	STUD BOLT	4	1	27.5 X 174.5 X 27.5
27	09140-08016	NUT	4	1	12 X 6.5
28	09140-10031	NUT	4	1	14 X 8

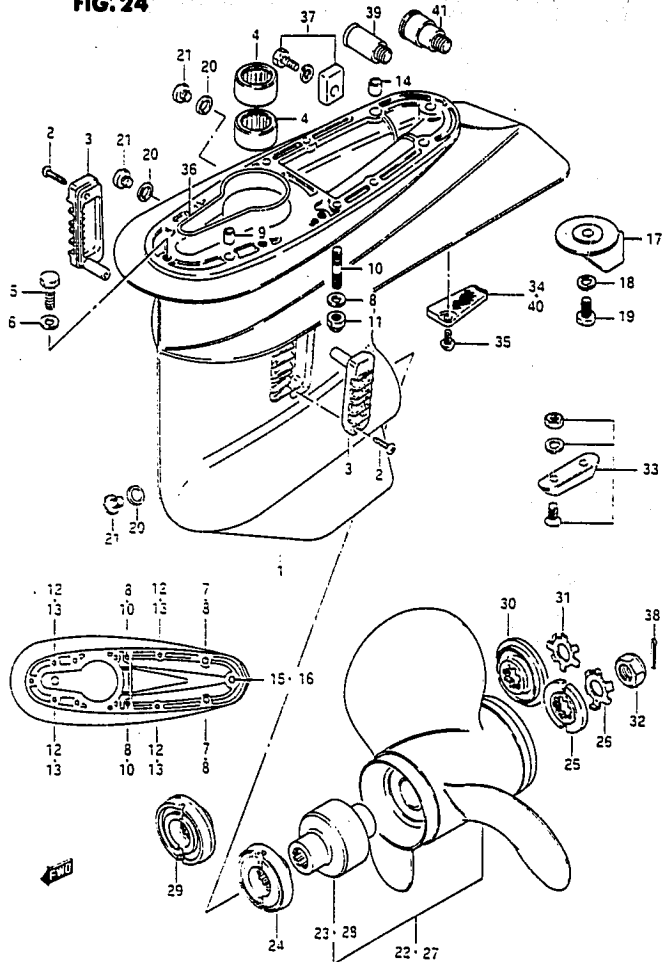


28

FIG. 23 (D- 9) DRIVESHAFT HOUSING

REF.NO.	PART NO.	DESCRIPTION	Q'TY		REMARKS
			75	85	
29	09162-08007	LOCK WASHER	4	4	3.2 X 8.2
30	09162-10005	LOCK WASHER	5	5	3.7 X 10.2
31	09206-11001	DOWEL PIN	1	1	11 X 8.4 X 12
32	09206-13006	DOWEL PIN	1	1	13 X 10.4 X 20
33	36894-95200	LEAD	2	2	
34	09125-05050	SCREW	2	2	
35	09161-05014	WASHER	3	3	

FIG. 24



29

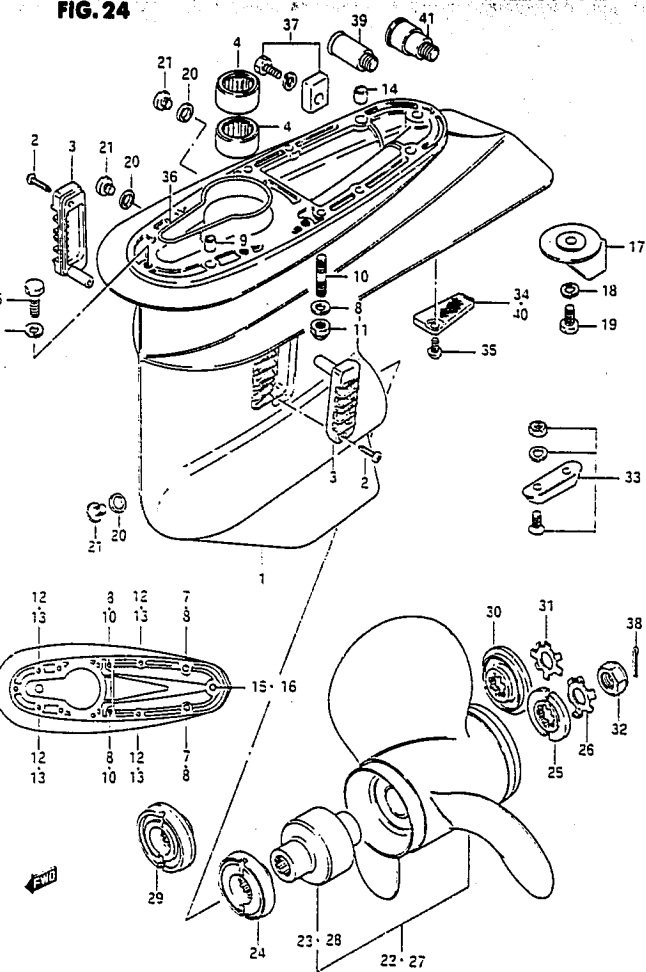
FIG. 24 (D-10) GEAR CASE

REF.NO.	PART NO.	DESCRIPTION	Q'TY		REMARKS
			75	85	
1	55100-95511-10V	CASE SET, gear	1	1	
2	09263-29004	.BEARING, pinion	2	2	
3	03142-04259	TAPPING SCREW	2	2	
4	17631-94600	FILTER, water	2	2	
5	09100-08232	BOLT	1	1	
6	09162-08007	LOCK WASHER	1	1	
7	09100-08160	BOLT (8x45)	2	2	
8	09162-08007	LOCK WASHER	4	4	
9	09206-11001	DOWEL PIN (8.4x11x12)	1	1	
10	09108-08154	STUD BOLT	2	2	
11	09159-08059	NUT	2	2	
12	09100-10149	BOLT (10x55)	4	4	
13	09162-10005	LOCK WASHER	4	4	
14	09206-13006	DOWEL PIN (10.4x13x10)	1	1	
15	09100-10221	BOLT (10x100)	1	1	
16	09162-10005	LOCK WASHER	1	1	
17	55125-94400	TRIM TAB	1	1	
18	09162-08003	LOCK WASHER	1	1	
29	09100-08215	BOLT (8x16)	1	1	
20	09168-10022	GASKET	3	3	
21	09248-10005	PLUG, drain	3	3	
22-1	58100-95500-10V	PROPELLER (3x13-1/2x15)	1	1	U1500
22-2	58100-95511-10V	PROPELLER (3x13-1/4x17)	1	1	U1700
22-3	58100-95521-10V	PROPELLER (3x13x19)	1	1	U1900
22-4	58100-95530-10V	PROPELLER (3x13x21)	1	1	U2100
22-5	58100-95540-10V	PROPELLER (3x13-3/4x13)	1	1	U1300
22-6	58100-95550-10V	PROPELLER (3x13x18)	1	1	U.800
23	58120-95500	.BUSHING, propeller	1	1	U TYPE
24	57635-95503	STOPPER, propeller bushing	1	1	U TYPE
25	57633-95501	SPACER, propeller nut	1	1	U TYPE
26	57635-95300	WASHER, nut lock	1	1	U TYPE

U = UNCUPPED PROP

V = CUPPED PROP

FIG. 24



30

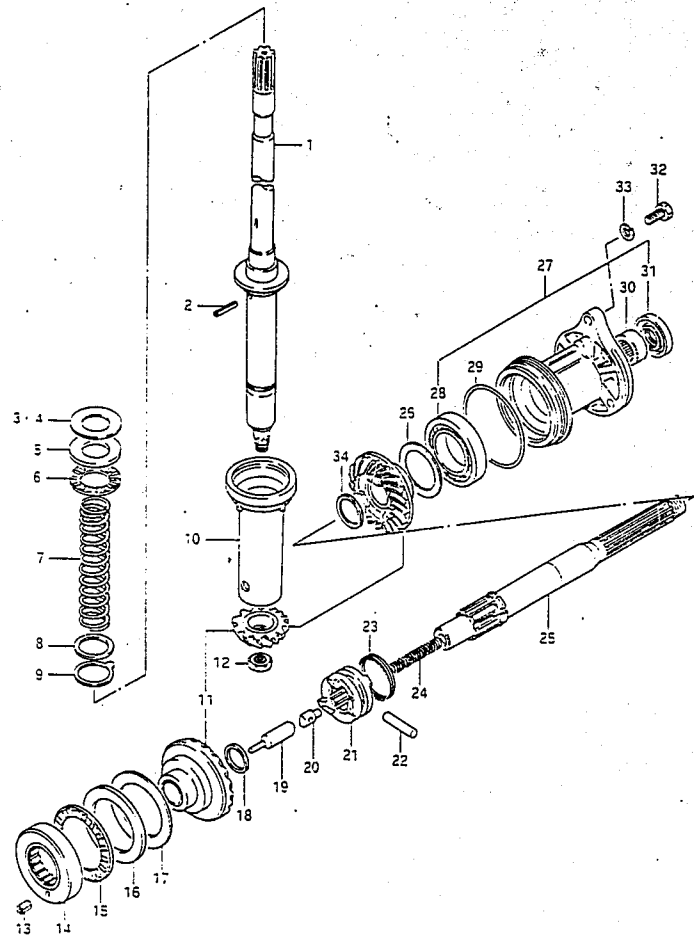
FIG. 24 (D-11) GEAR CASE

REF. NO.	PART NO.	DESCRIPTION	Q'TY		REMARKS
			75	85	
27-1	58100-94512-10V	PROPELLER (3x13-1/4x17)	1	1	V1700
27-2	58100-94522-10V	PROPELLER (3x13x19)	1	1	V1900
27-3	58100-94532-10V	PROPELLER (3x13x21)	1	1	V2100
27-4	58100-94500-10V	PROPELLER (3x13-1/2x15)	1	1	V1500
28	58120-94520	.BUSHING, propeller	1	1	V TYPE
29	57635-94502	STOPPER, propeller bushing	1	1	V TYPE
30	57633-94500	SPACER, propeller nut	1	1	V TYPE
31	57634-94500	WASHER, propeller nut lock	1	1	V TYPE
32	09159-18004	NUT	1	1	
33	55300-95500	ZINC ASSY, protection	1	1	OPT
34	17635-95501	FILTER	1	1	
35	09125-06053	SCREW	1	1	
36	55122-95500	SEAL RING gear case	1	1	
37	55320-95310	ZINC, propeller	1	1	
38	09204-03003	PIN	1	1	
39	55181-95200	ATTACHMENT, flush hose	1	1	OPT
40	17635-95510	PLATE, gear case	1	1	OPT
41	55182-95200	ATTACHMENT, flush hose,	1	1	OPT

U = UNCUPPED PROP

V = CUPPED PROP

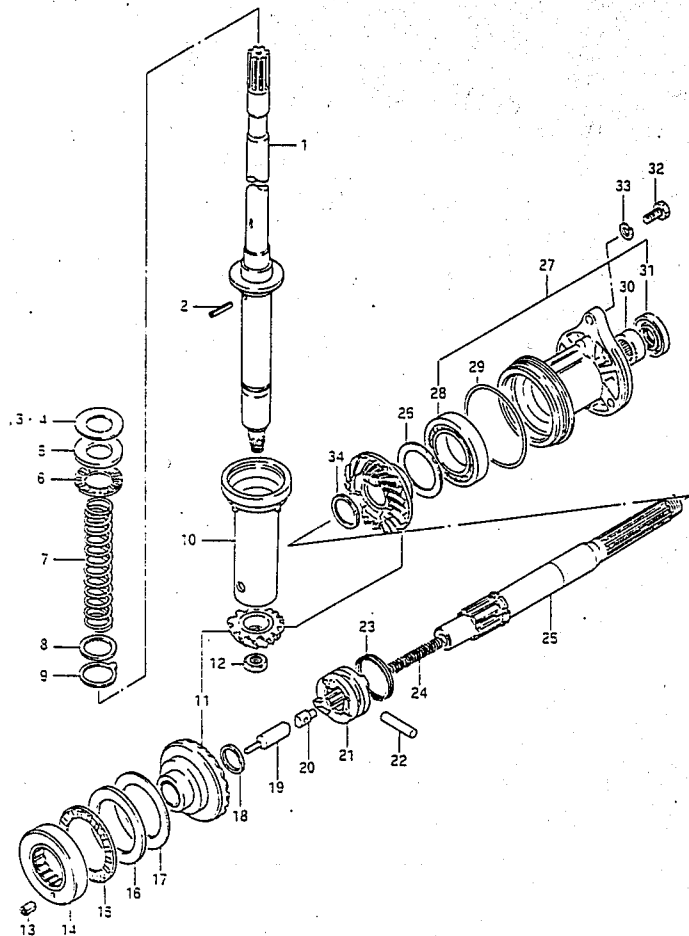
FIG. 25



31

FIG. 25 (E- 2) TRANSMISSION

REF.NO.	PART NO.	DESCRIPTION	Q'TY		REMARKS
			75	85	
1-1	57110-95508	SHAFT, drive (B)	1	1	L:793.5
1-2	57110-95552	SHAFT, drive (D)	1	1	L:920.5
2	09205-03022	PIN	1	1	
3-1	09181-32010	SHIM (32x52x0.1)	0-2	0-2	
3-2	09181-32011	SHIM (32x52x0.2)	0-2	0-2	
3-3	09181-32013	SHIM (32x52x1.03)	0-1	0-1	
3-4	09181-32014	SHIM (32x52x1.07)	0-1	0-1	
4-1	09181-30012	SHIM (30x52x0.8)	0-1	0-1	
4-2	09181-30013	SHIM (30x52x0.9)	0-1	0-1	
4-3	09181-30014	SHIM (30x52x1.0)	0-1	0-1	
4-4	09181-30015	SHIM (30x52x1.1)	0-1	0-1	
4-5	09181-30016	SHIM (30x52x1.2)	0-1	0-1	
4-6	09181-30017	SHIM (30x52x1.3)	0-1	0-1	
5	09160-32005	THRUST WASHER (32x52x4.25)	1	1	
6	09269-30008	BEARING, thrust	1	1	
7	09440-30003	SPRING	1	1	
8	09160-30027	THRUST WASHER (30x40x3)	1	1	
9	09167-31001	THRUST WASHER	1	1	
10	57133-95501	COLLAR, spring	1	1	
11	57301-95840	PINION/GEAR SET	1	1	
12	09140-14021	NUT	1	1	
13	09205-05006	PIN	1	1	
14	09269-45001	BEARING, forward gear radial	1	1	
15	09269-60001	BEARING, thrust	1	1	
16	09160-60002	THRUST WASHER (60x85x4.2)	1	1	
17-1	09160-60003	WASHER (60x85x1)	0-1	0-1	
17-2	09160-60004	WASHER (60x85x1.1)	0-1	0-1	
17-3	09160-60005	WASHER (60x85x1.2)	0-1	0-1	
17-4	09160-60006	WASHER (60x85x1.3)	0-1	0-1	
17-5	09160-60007	WASHER (60x85x1.4)	0-1	0-1	
17-6	09160-60008	WASHER (60x85x0.8)	0-1	0-1	
17-7	09160-60009	WASHER (60x85x0.9)	0-1	0-1	



CABREA EL75/85

32

FIG. 25 (E- 3) TRANSMISSION

REF.NO.	PART NO.	DESCRIPTION	Q'TY		REMARKS
			75	85	
18	09181-25018	THRUST WASHER	1	1	25x31x4.5
19	57631-95541	ROD, push	1	1	
20	57632-95502	PIN, push	1	1	
21	57621-95511	SHIFTER, clutch dog	1	1	
22	09202-06028	PIN	1	1	
23	09440-48003	SPRING, clutch dog shifter	1	1	
24	09440-11020	SPRING, return	1	1	
25	57610-95508	SHAFT, propeller	1	1	
26-1	09181-45001	SHIM (45x58x0.5)	0-2	0-2	
26-2	09181-45002	SHIM (45x58x0.2)	0-2	0-2	
27	56120-95505	HOUSING, propeller shaft	1	1	
28	08113-60090	BEARING, reverse gear	1	1	
29	09280-85001	O RING	1	1	
30	09263-28011	BEARING, propeller shaft	2	2	
31	09282-28002	OIL SEAL (T:6)	2	2	
32	09100-08232	BOLT	2	2	
33	09162-08003	LOCK WASHER	2	2	
34-1	09160-28013	WASHER, REV (1.0)	2	2	
34-2	09160-28014	WASHER, REV (1.2)	2	2	
34-3	09160-28015	WASHER, REV (1.4)	2	2	
34-4	09160-28016	WASHER, REV (1.6)	2	2	
34-5	09160-28018	WASHER, REV (1.3)	2	2	

FIG. 26 (E- 4) LOWER COVER

Q'TY

REF.NO.	PART NO.	DESCRIPTION	75	85	REMARKS
1	61110-95611-10V	COVER, lower	1	1	
2	61155-94500	TUBE, water	1	1	
3	61139-94500	TUBE, drain	1	1	
4	13979-37400	RETAINER, drain tube	1	1	
5	61113-95205	SEAL, lower cover	1	1	
6	61131-95201-10V	COVER, lower front	1	1	
7	61141-95204-10V	COVER, lower rear	1	1	
8	61142-95201	GROMMET	1	1	
9	36658-94701	GROMMET, cables	1	1	
10	63725-95200	GROMMET, choke cable	1	1	
11	67331-95210	GROMMET, control cable	1	1	
12	61124-95200	GROMMET, lower cover	1	1	
13	61116-94701-10V	BRACKET, lower cover	1	1	
14	09162-06006	LOCK WASHER	2	2	
15	09100-06122	BOLT (6x15)	2	2	
16	67271-95213	HOLDER, remocon cable	1	1	
17	09162-06001	LOCK WASHER	2	2	
18	09100-06115	BOLT	2	2	
19	09320-10011	CUSHION, lower cover	4	4	
20	09180-06112	SPACER (6.8x10x11.5)	4	4	
21	09160-06047	WASHER (6.5x22x2)	4	4	
22	09162-06006	LOCK WASHER	4	4	
23	09100-06120	BOLT (6x25)	4	4	
24	09160-06082	WASHER (6.5x13x1)	8	8	
25	09162-06006	LOCK WASHER	8	8	
26	09128-06051	BOLT (6x20)	8	8	
27	09100-06131	BOLT (6x25)	1	1	
28	09162-06001	LOCK WASHER	1	1	
29	09160-06036	WASHER (6.5x13x1)	1	1	
30	61631-95310	HOOK, lower cover	1	1	

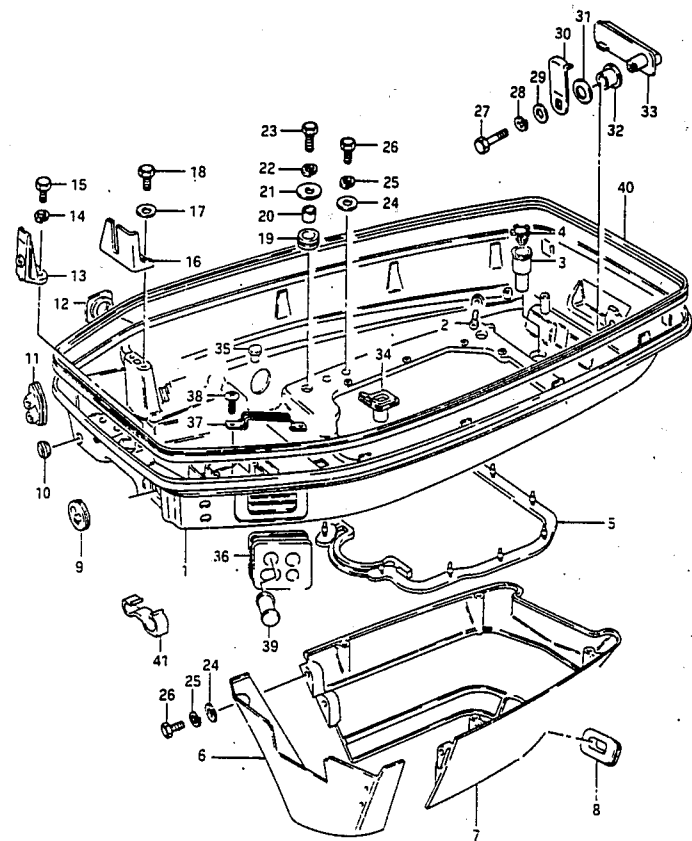


FIG. 26

34

FIG. 26 (E- 5) LOWER COVER

Q'TY

REF.NO.	PART NO.	DESCRIPTION	Q'TY		REMARKS
			75	85	
31	09164-13005	WAVE WASHER	1	1	
32	09306-13002	BUSHING, hook lever	1	1	
33	61633-95202-10V	LEVER, hook	1	1	
34	23131-95501	BOOT, clutch rod	1	1	
35	09250-05003	CAP	2	2	
36	36656-94701	GROMMET	1	1	
37	36659-95501	CLAMP	1	1	
38	09125-06067	SCREW	2	2	
39	36663-94700	CAP, harness grommet	1	1	
40	61112-95208	SEAL, under cover upper	1	1	
41	09408-00029	CLAMP	1	1	

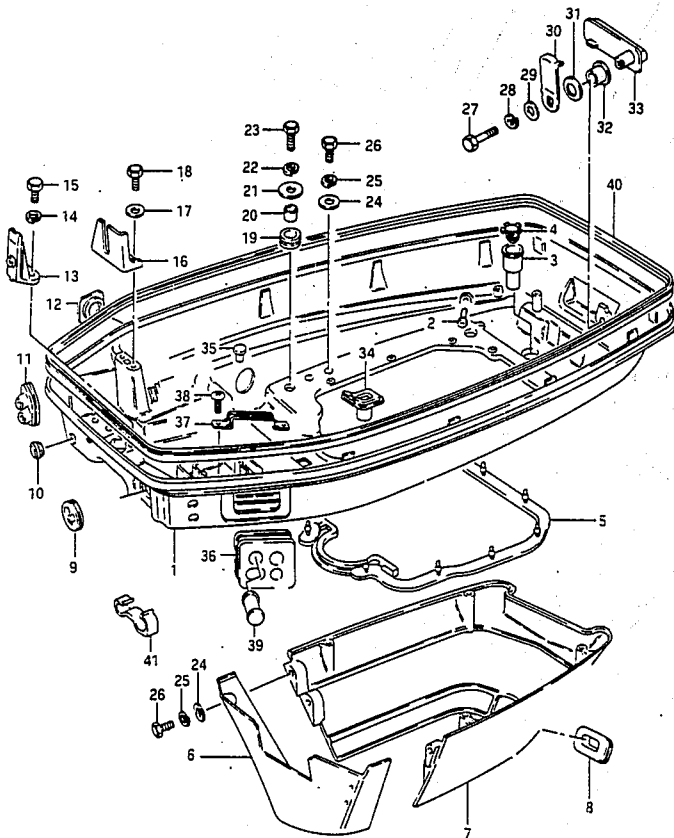
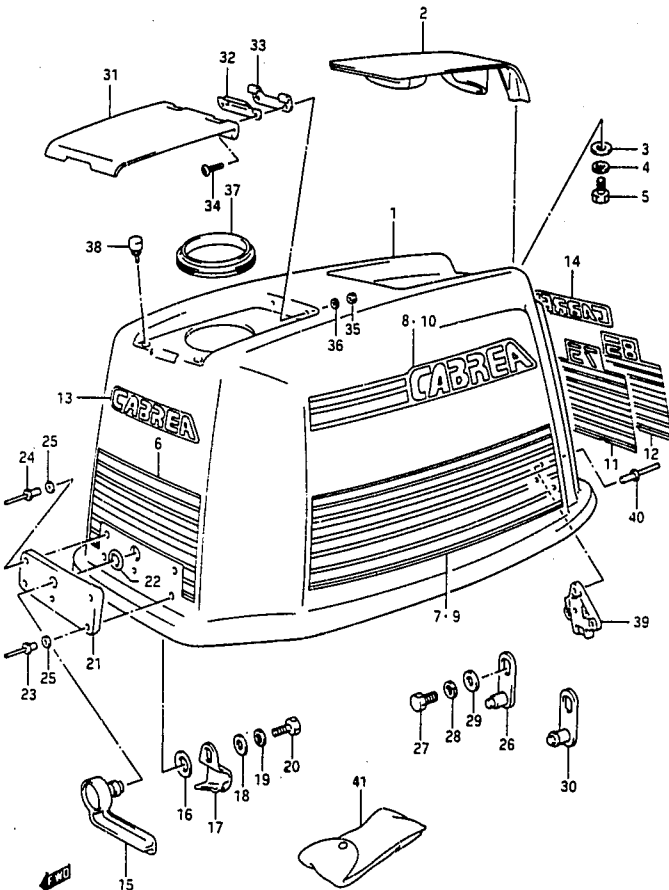
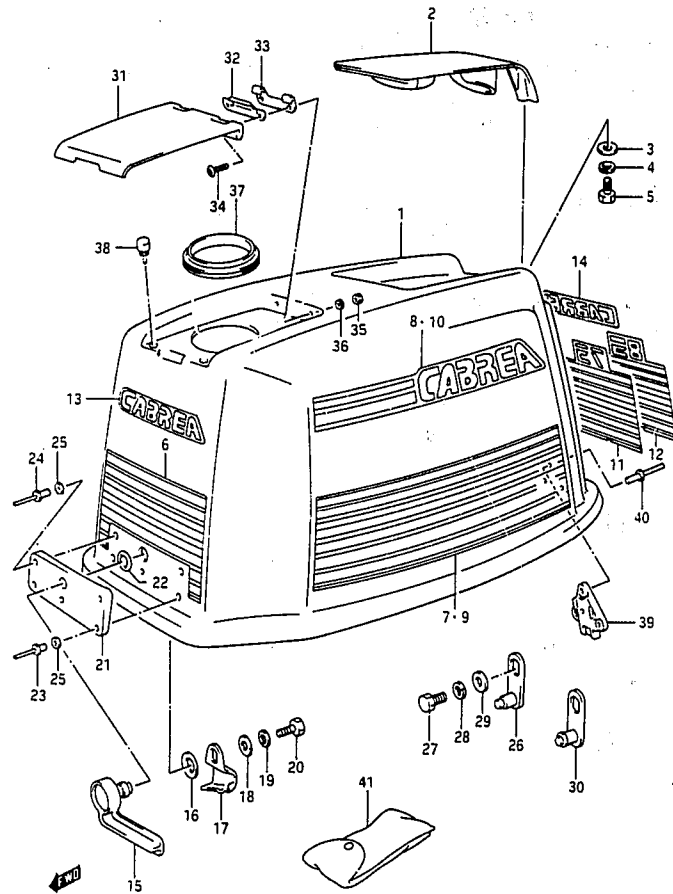


FIG. 27 (E-6) ENGINE COVER



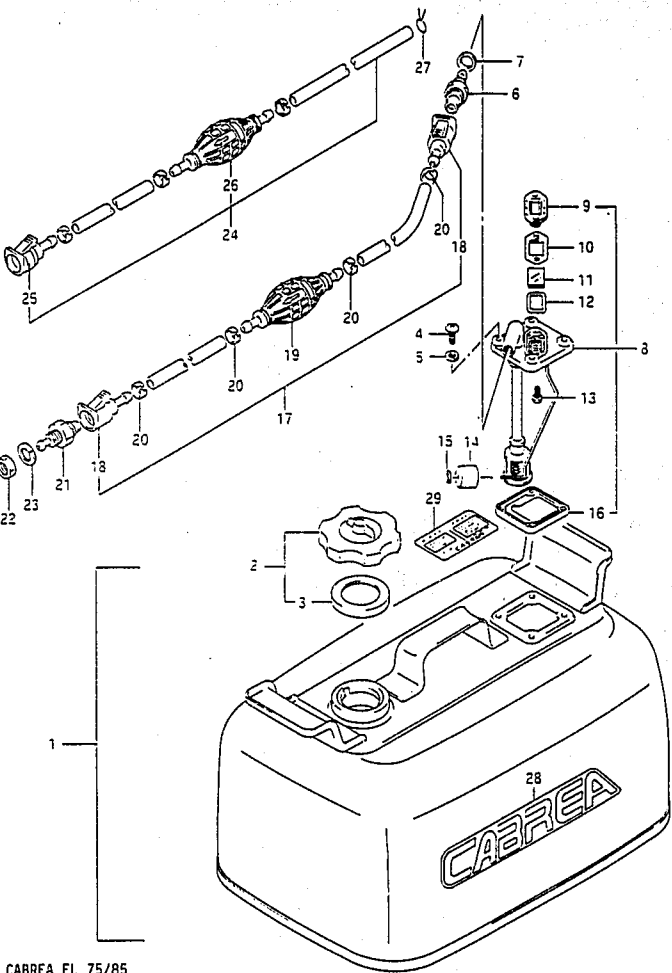
REF. NO.	PART NO.	DESCRIPTION	Q'TY		REMARKS
			75	85	
1-1	61408-95810-10V	COVER SET, engine	1	-	DECAL:GOLD
1-2	61408-95820-33X	COVER SET, engine	1	-	DECAL:BLUE
1-3	61408-95830-34X	COVER SET, engine	1	-	DECAL:BLACK
1-4	61408-95840-10V	COVER SET, engine	-	1	DECAL:GOLD
1-5	61408-95850-33X	COVER SET, engine	-	1	DECAL:BLUE
1-6	61408-95860-34X	COVER SET, engine	-	1	DECAL:BLACK
2	61431-95501-10V	.HANDLE, tilt up	1	1	
3	09160-06036	.WASHER	4	4	
4	09162-06006	.LOCK WASHER	4	4	
5	09100-06126	.BOLT	4	4	
6-1	61422-95670-2MN	.MARK, emblem front (Gold)	1	1	DECAL:10V
6-2	61422-95670-8LB	.MARK, emblem front (Blue)	1	1	DECAL:33X
6-3	61422-95670-2MP	.MARK, emblem front (Gray)	1	1	DECAL:34X
7-1	61443-95670-2MN	.DECAL, lower STBD (Gold)	1	1	DECAL:10V
7-2	61443-95670-8LB	.DECAL, lower STBD (Blue)	1	1	DECAL:33X
7-3	61443-95670-2MP	.DECAL, lower STBD (Gray)	1	1	DECAL:34X
8-1	61444-95670-2MR	.DECAL, upper STBD (Gold)	1	1	DECAL:10V
8-2	61444-95670-2MS	.DECAL, upper STBD (Blue)	1	1	DECAL:33X
8-3	61444-95670-2MT	.DECAL, upper STBD (Gray+Red)	1	1	DECAL:34X
9-1	61453-95670-2MN	.DECAL, lower port (Gold)	1	1	DECAL:10V
9-2	61453-95670-8LB	.DECAL, lower port (Blue)	1	1	DECAL:33X
9-3	61453-95670-2MP	.DECAL, lower port (Gray)	1	1	DECAL:34X
10-1	61454-95670-2MR	.DECAL, upper port (Gold)	1	1	DECAL:10V
10-2	61454-95670-2MS	.DECAL, upper port (Blue)	1	1	DECAL:33X
10-3	61454-95670-2MT	.DECAL, upper port (Gray+Red)	1	1	DECAL:34X
11-1	61435-95680-2MN	.MARK, emblem, rear (Gold)	1	-	DECAL:10V
11-2	61435-95680-8LB	.MARK, emblem, rear (Blue)	1	-	DECAL:33X
11-3	61435-95680-2MP	.MARK, emblem, rear (Gray)	1	-	DECAL:34X
12-1	61435-95670-2MN	.MARK, emblem, rear (Gold)	-	1	DECAL:10V
12-2	61435-95670-8LB	.MARK, emblem, rear (Blue)	-	1	DECAL:33X
12-3	61435-95670-2MP	.MARK, emblem, rear (Gray)	-	1	DECAL:34X
13-1	61441-93920-7ZR	.MARK, ornament, front (Black)	1	1	DECAL:10V
13-2	61441-93920-8LB	.MARK, ornament, front (Blue)	1	1	DECAL:33X
13-3	61441-93920-2MP	.MARK, ornament, front (Gray)	1	1	DECAL:34X

FIG. 27 (E - 7) ENGINE COVER



REF.NO.	PART NO.	DESCRIPTION	Q'TY		REMARKS
			75	85	
14-1	61441-93910-7ZR	.MARK, ornament, rear (Black)	1	1	DECAL:10V
14-2	61441-93910-8LB	.MARK, ornament, rear (Blue)	1	1	DECAL:33X
14-3	61441-93910-2MP	.MARK, ornament, rear (Gray)	1	1	DECAL:34X
15	61645-94700-10V	.LEVER, front hook	1	1	
16	09164-13005	.WASHER	1	1	
17	61641-94700	.HOOK, front	1	1	
18	09160-06036	.WASHER	1	1	
19	09162-06001	.LOCK WASHER	1	1	
20	09100-06131	.BOLT	1	1	
21	61651-94700	.HOLDER, front hook	1	1	
22	09280-18004	.O RING, front hook	1	1	
23	09229-04026	.RIVET, hook lower	3	3	
24	09229-04027	.RIVET, hook upper	2	2	
25	08322-21057	.WASHER, hook	5	5	
26	61610-95514	.FASTENER	1	1	
27	01107-06122	.BOLT	1	1	
28	08321-21062	.LOCK WASHER	1	1	
29	08322-21062	.WASHER	1	1	
30	61610-94410	.FASTENER	1	1	
31	61481-95521-10V	.LID, oil tank filler	1	1	
32	61485-95500	.SPRING, oil filler	1	1	
33	61482-94510	.HINGE, oil filler	1	1	
34	09125-06021	.SCREW	2	2	
35	09140-06004	.NUT	2	2	
36	09160-06082	.WASHER	2	2	
37	61414-95500	.GASKET, oil filler	1	1	
38	09321-05019	.CUSHION	2	2	
39	61621-96302	.BRACKET, fastener	1	1	
40	09229-04025	.RIVET, bracket fastener	1	1	
41	09800-81800	TOOL ASSY	1	1	

FIG. 28



37

FIG.28 (E- 8) FUEL TANK

REF.NO.	PART NO.	DESCRIPTION	Q'TY		REMARKS
			75	85	
1	65800-92820	TANK SET, fuel (24L)	1	1	6.3 U.S GAL/5.3 IMP GAL
2	65910-92000	.CAP ASSY, separate tank	1	1	
3	65561-92000	.GASKET, tank cap	1	1	
4	02152-06162	.SCREW	4	4	
5	09168-06026	.GASKET	4	4	
6	65720-94411	.CONNECTOR, fuel	1	1	
7	09168-12015	.GASKET, connector	1	1	
8	65850-92001	.GAUGE ASSY, fuel	1	1	
9	65855-92010	.COVER, gauge	1	1	
10	65854-92020	.GASKET	1	1	
11	65853-92000	.LENS	1	1	
12	65854-92030	.GASKET, lens	1	1	
13	03242-04109	.SCREW	2	2	
14	65864-92000	.FLOAT	1	1	
15	65866-92000	.NUT, push	1	1	
16	65871-92000	.GASKET, fuel	1	1	
17	65700-87D15	HOSE, fuel	1	1	W/TANK
18	65750-94403	.CONNECTOR, fuel	2	2	W/TANK
19	65770-95503	.PUMP, squeeze	1	1	W/TANK
20	65781-98500	.CLIP	4	4	W/TANK
21	65720-94411	CONNECTOR, fuel	1	1	
22	08310-22102	NUT	1	1	
23	08321-21102	LOCK WASHER	1	1	
24	65700-87D30	HOSE, fuel	1	1	OPT
25	65750-94403	.CONNECTOR, fuel	1	1	N/TANK
26	65770-95503	.PUMP, squeeze	1	1	N/TANK
27	09401-11402	.CLIP	3	3	OPT
28	61441-93940	MARK, ornament fuel tank	1	1	
29	65316-87D50	MARK, fuel caution	1	1	

FIG. 29

38

FIG. 29 (E- 9) OIL TANK

Q'TY

REF.NO.	PART NO.	DESCRIPTION	Q'TY		REMARKS
			75	85	
1	69200-95505	CAP ASSY, oil tank	1	1	
2	09280-41004	.O RING	1	1	
3	69110-95513	TANK, oil	1	1	
4	09160-06100	WASHER (6.5x18x1.5)	2	2	
5	09180-06030	SPACER (6.8x10x10)	1	1	
6	09320-10008	CUSHION	1	1	
7	01517-06352	BOLT, lower	1	1	
8	09320-12027	CUSHION	1	1	
9	09180-09014	SPACER (9x12x10)	1	1	
10	34860-95540	SWITCH ASSY, oil level	1	1	
11	6250-94701	FILTER, oil	1	1	
12	65281-95500	GROMMET, oil tank	1	1	
13	09329-18002	CUSHION	1	1	
14	09344-05014	HOSE	1	1	L:950+100
15	09344-05045	HOSE	1	1	L:65
16	09400-10302	CLIP	2	2	
17	09401-08409	CLIP	2	2	
18	34700-94430	INDICATOR ASSY, oil level	1	1	
19-1	36660-94400	WIRING, indicator EXT	1	1	L:6500
19-2	36660-94480	WIRING, indicator EXT	1	1	OPT L:2000

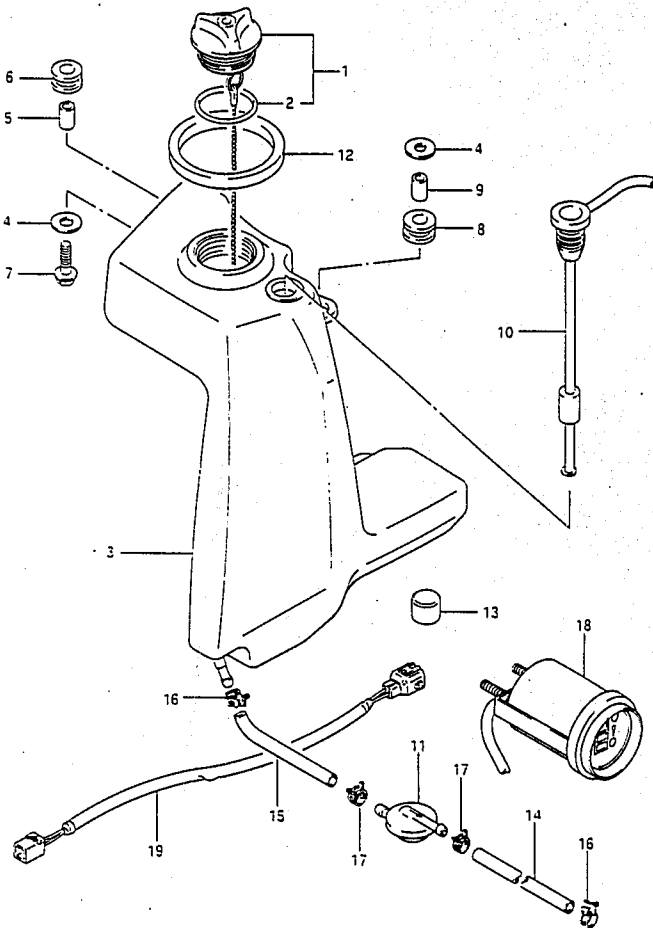
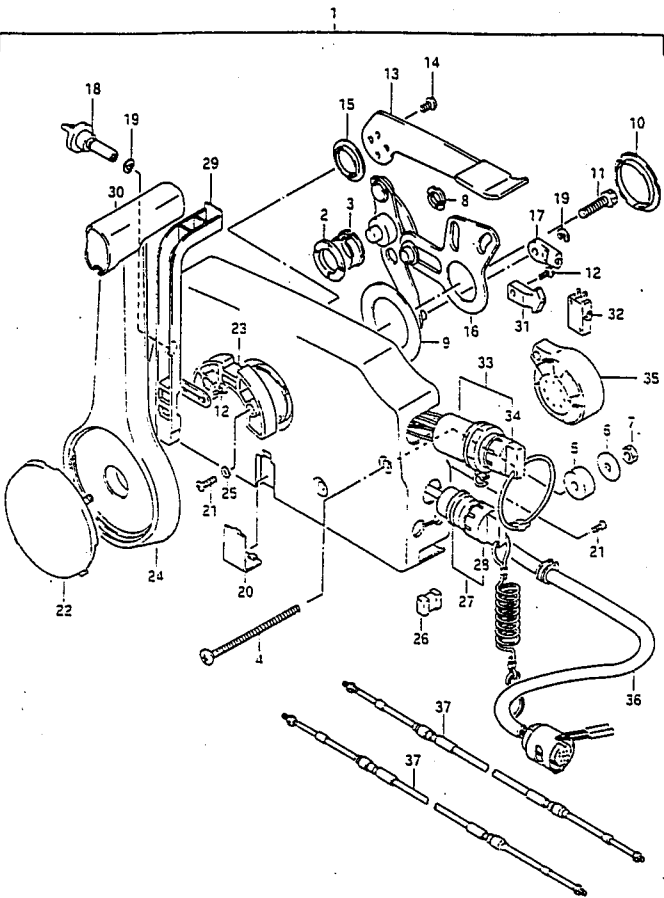


FIG. 30



39

FIG.30 (E-10) REMOTE CONTROL

REF.NO.	PART NO.	DESCRIPTION	Q'TY		REMARKS
			75	85	
1	67200-96401-10V	REMOTE CONTROL BOX ASSY	1	1	
2	67232-95600	.BUSH	1	1	
3	67232-95620	.BUSH	1	1	
4	67296-95600	.SCREW	3	3	
5	67294-95600	.SPACER	3	3	
6	67288-94310	.WASHER	3	3	
7	09140-06004	.NUT	3	3	
8	67232-95610	.BUSH	2	2	
9	67253-95600	.WASHER	1	1	
10	67252-95600	.BUSH	2	2	
11	09100-08232	.BOLT	1	1	
12	67296-94300	.SCREW	3	3	
13	67241-95650	.LEVER, free throttle	1	1	
14	09126-05003	.SCREW	2	2	
15	67243-95600	.BUSH	1	1	
16	67220-95600	.PLATE ASSY	1	1	
17	67275-95600	.END, cable	2	2	
18	67223-95600	.KNOB, brake ADJ	1	1	
19	67292-94300	.E RING	3	3	
20	67267-95610	.COVER, wire (Black)	1	1	
21	67296-95610	.SCREW	7	7	
22	67257-95610	.CAP, lever (Black)	1	1	
23	67256-95600	.HOLDER, neut lock	1	1	
24	67251-95670	.LEVER, handle	1	1	
25	67297-95600	.WASHER	2	2	
26	67273-95600	.SPACER	1	1	
27	37820-94430	.SWITCH ASSY, emergency	1	1	
28	37823-94400	.CAP & ROPE	1	1	
29	67255-95600	.ARM, neutral lock	1	1	

FIG. 30

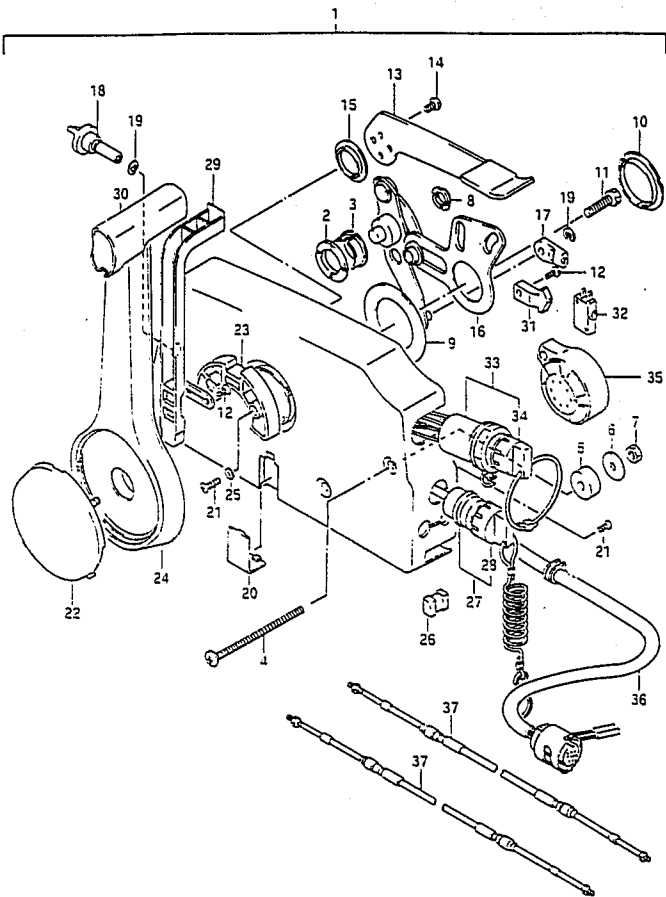


FIG.30 (E-11) REMOTE CONTROL

REF.NO.	PART NO.	DESCRIPTION	Q'TY		REMARKS
			75	85	
30	67261-95610	.GRIP	1	1	
31	67214-95600	.ACTUATOR	1	1	
32	37721-94600	.SWITCH, neutral	1	1	
33	37110-95500	.IGNITION SWITCH	1	1	
34	37141-95500	.KEY	1	1	
35	38500-87010	.BUZZER	1	1	
36	36620-94610	.WIRING HARNESS 7 WIRES	1	1	
37-1	67320-95500	CABLE, remocon 6F (1.8m)	2	2	
37-2	67320-95510	CABLE, remocon 7F (2.1m)	2	2	
37-3	67320-95520	CABLE, remocon 8F (2.4m)	2	2	
37-4	67320-95530	CABLE, remocon 9F (2.7m)	2	2	
37-5	67320-95540	CABLE, remocon 10F (3.1m)	2	2	
37-6	67320-95550	CABLE, remocon 11F (3.4m)	2	2	
37-7	67320-95560	CABLE, remocon 12F (3.7m)	2	2	
37-8	67320-95570	CABLE, remocon 13F (4.0m)	2	2	
37-9	67320-95580	CABLE, remocon 14F (4.3m)	2	2	
37-10	67320-95590	CABLE, remocon 15F (4.6m)	2	2	
37-11	67320-95600	CABLE, remocon 16F (4.9m)	2	2	
37-12	67320-95610	CABLE, remocon 17F (5.2m)	2	2	
37-13	67320-95620	CABLE, remocon 18F (5.5m)	2	2	
37-14	67320-95630	CABLE, remocon 19F (5.8m)	2	2	
37-15	67320-95640	CABLE, remocon 20F (6.1m)	2	2	
37-16	67320-95650	CABLE, remocon 22F (6.7m)	2	2	

FIG.31 (F- 2) OPT : ELECTRICAL (1)

Q'TY

REF.NO.	PART NO.	DESCRIPTION	75	85	REMARKS
1	34100-87D30	SPEEDOMETER	1	1	
2	09471-12001	.BULB (12V,3.4W)	1	1	
3	34190-87D00	.SENSOR	1	1	
4	34191-87D00	.HOSE (4x7x7000)	1	1	
5	34200-87D30	TACHOMETER ASSY	1	1	
6	09471-12001	.BULB (12V,3.4W)	1	1	
7	34500-87D10	METER, hour	1	1	
8	09471-12001	.BULB (12V,3.4W)	1	1	
9	34600-87D20	METER, volt	1	1	
10	09471-12001	.BULB (12V,3.4W)	1	1	
11	34108-94500	SWITCH ASSY, meter	1	1	
12	34109-94500	LEAD, meter extension	1	1	
13	37141-95500	KEY, ignition SW	1	1	
14	36990-87D00	TERMINAL & SLEEVE SET	1	1	
15	34850-95510	SWITCH, heat	1	1	

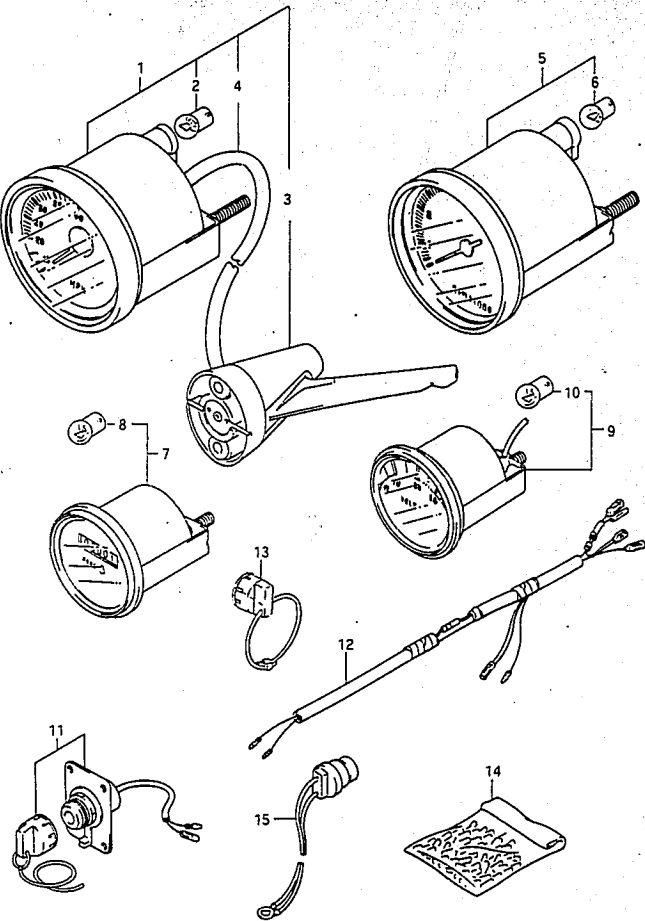
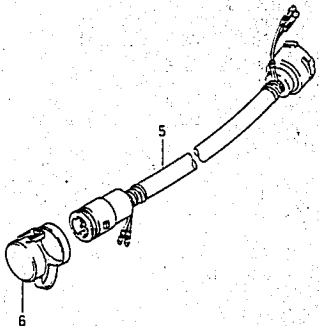
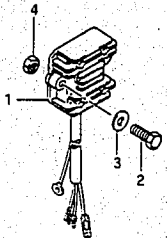


FIG. 32 (F- 3) OPT : ELECTRICAL (2)



REF. NO.	PART NO.	DESCRIPTION	Q'TY		REMARKS
			75	85	
1	32800-95820	RECTIFIRE & REGULATOR ASSY	1	1	
2	01107-06252	.BOLT	2	2	
3	08322-21062	.WASHER	2	2	
4	08310-11062	.NUT	2	2	
5	36620-87020	HARNESS, 10 wires	1	1	CB TO MOTOR L:16 FT.
6	36631-94300	.CAP	1	1	

FIG. 33 (F- 4) OPT : TIE ROD

REF. NO.	PART NO.	DESCRIPTION	Q'TY		REMARKS
			75	85	
4	67701-95500	DRAG LINK ASSY	1	1	
5	67721-94501	.SPACER	1	1	
6	67725-94501	.BOLT	1	1	
7	67726-94500	.NUT	2	2	
8	67728-94501	.WASHER	3	3	

